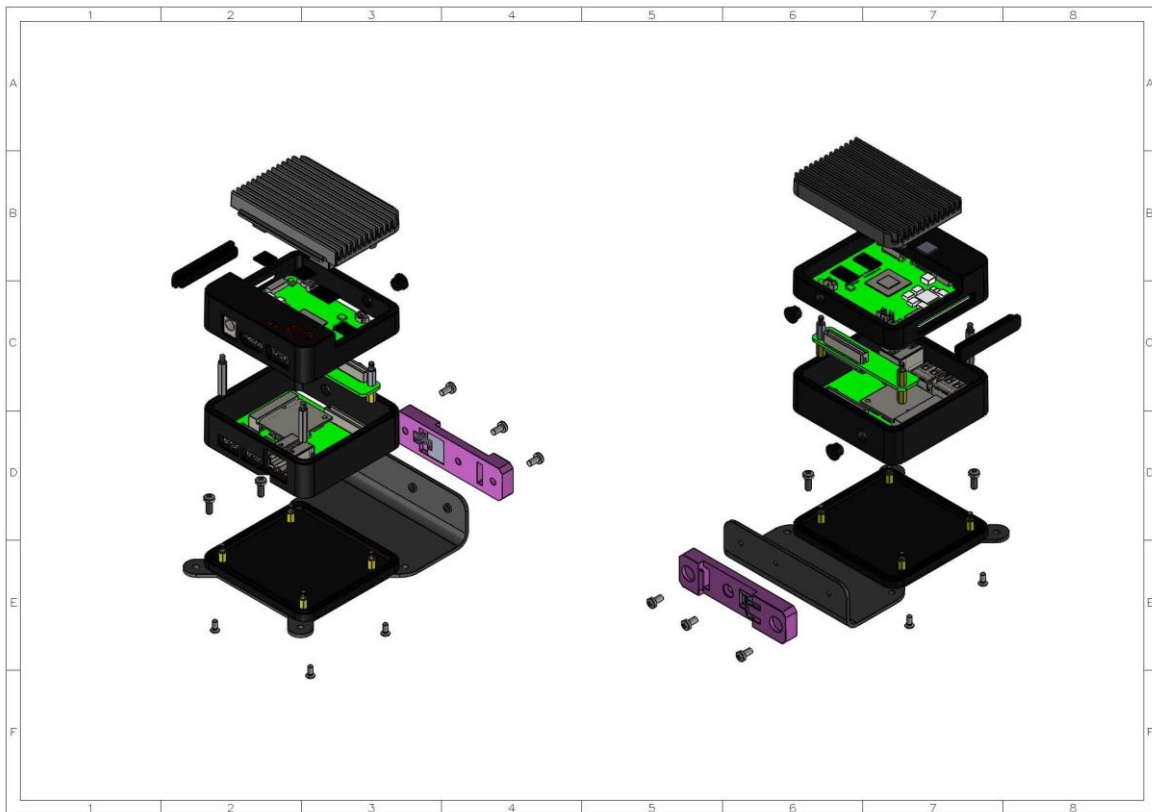


# Assembly SOP EP-CHUPC-CRSTHI UP Core High Carrier board AL Chassis

**Exploding view:**





## Parts List

The kit includes the following items:

- Stacking Middle base @1pc
- M2.5\*9 Hex Standoff. @4pcs
- M2.5\*19.5 Hex Standoff. @2pcs
- SMA plug @1pcs

Not included in the kit, you may need to prepare by yourself:

- UP stacking board.
- UP main housing and VESA plate

All items are available in the UP Shop at <https://up-shop.org>

Use the following code for the main housing and VESA plate:  
EP-CHUPCMTVAUPC

**Package of high carrier board housing:**



**Hight Carrier board housing @1pc**

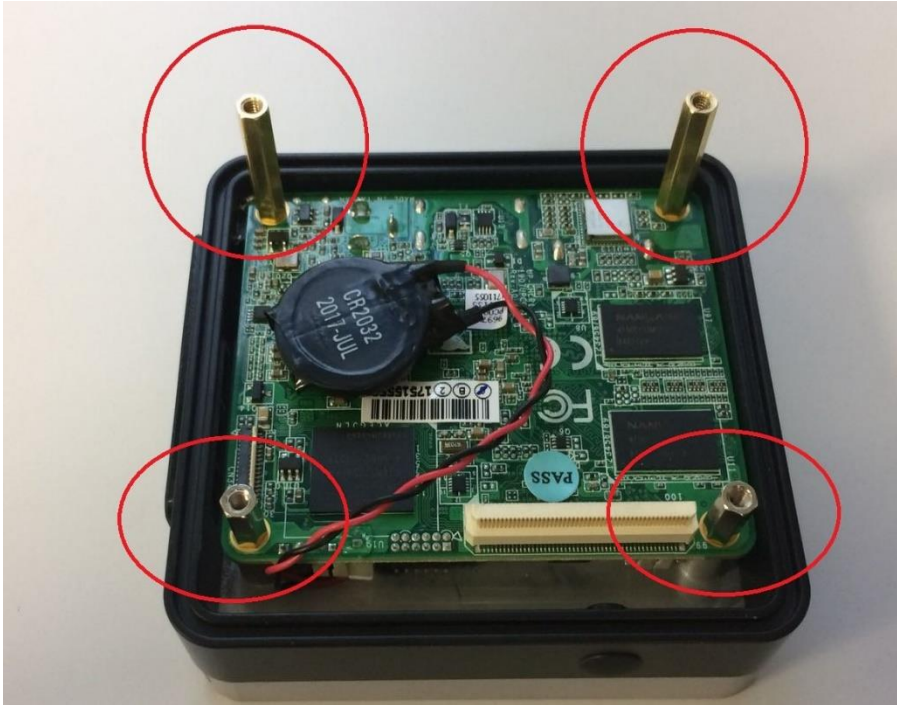
- M2.5\*19.6 Hex stand-off @2pcs**
- M2.5\*9 Hex stand-off @4pcs**
- SMA @1pcs**

**Assembly Stacking house:**

1. The preparation of your UP Core main housing and bottom.



2. Fasten the UP Core Board on the top cover with the two different types of hex standoffs through the four thread nuts as shown on the picture below. Make sure to place the 9mm hex standoffs and the 19.5mm hex standoffs in the same positions as in the picture.

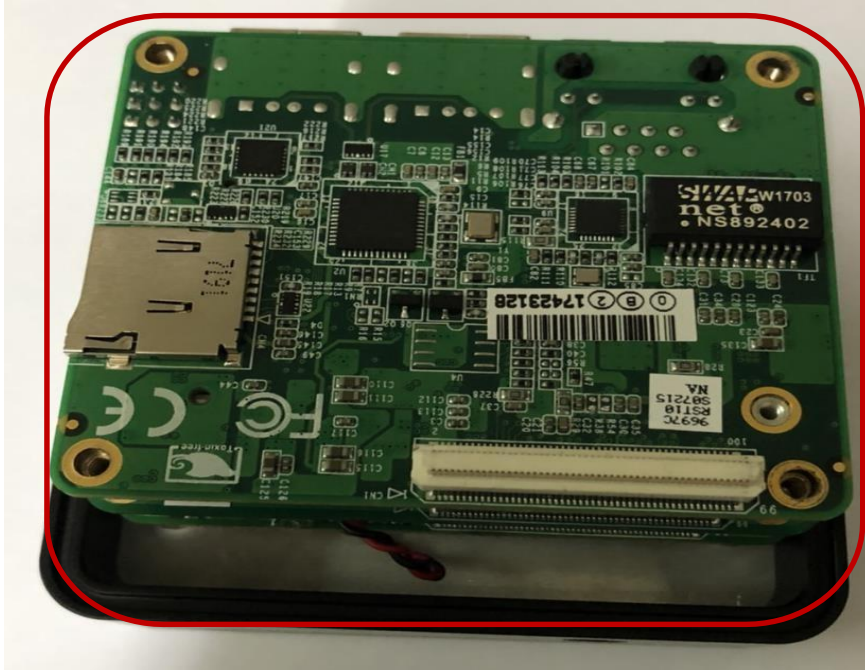


3. Fasten the spacer on the motherboard by the two remaining 9mm hex standoffs.

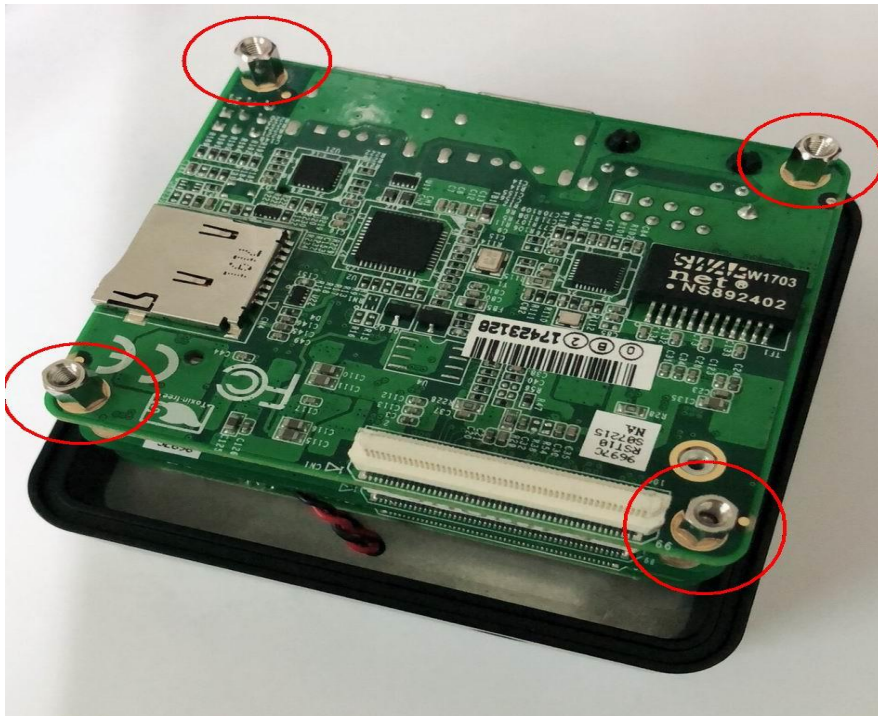




- Carefully place the UP stacking board on the four hex standoffs.



- Use the four hex standoffs (5.5mm, silver) that are packaged together with main housing accessory package to fasten the stacking board



For more information about your UP board, software, accessories and peripherals, please visit [www.up-community.org](http://www.up-community.org)

6. Place the high carrier board housing on top of the main housing, check if the IO side exactly matches the panel sides.



For more information about your UP board, software, accessories and peripherals, please visit [www.up-community.org](http://www.up-community.org)



7. Place the bottom base on top of the stacking housing and tighten this with the M2.5\*6 screws that are packaged with the main housing.



8. The finished chassis with the high carrier board.



For more information about your UP board, software, accessories and peripherals, please visit [www.up-community.org](http://www.up-community.org)