

User Manual of EP-FNMPCM2X28HS

AI Core XM 2280 enabling plate for K1 mini PC



Revision: 01

Update Date: 16 July 2019

Prepared For: Users

Prepared By: Kuankuan Cao AAEON Europe

Revision History

The following table contains the information regarding the history and revisions of this living document.

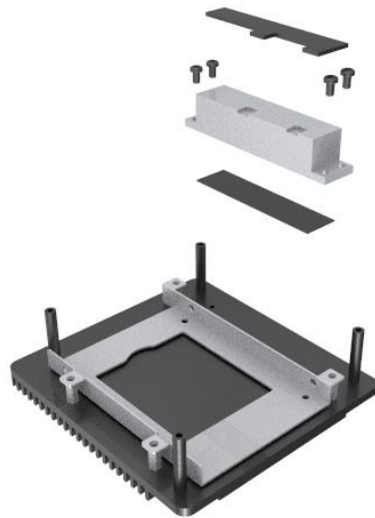
| Version | Date | Contributor | Changes Description |
|---------|------------|--------------|---------------------|
| 01 | 16/07/2019 | Kuankuan Cao | Initial Creation |
| | | | |
| | | | |
| | | | |

Document Attributes

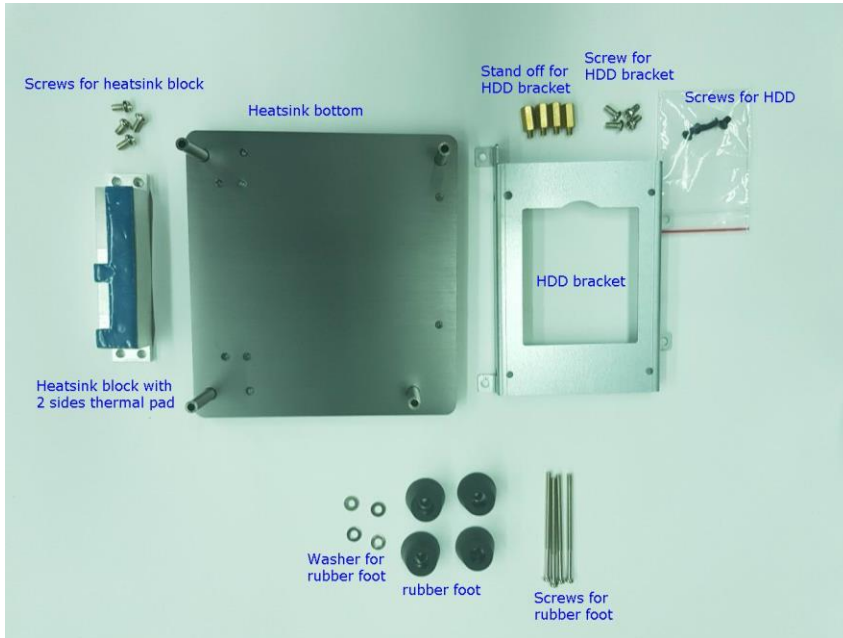
The following table contains the list of files that are associated with this living document.

| Filename | Description |
|--------------------------------|----------------|
| Approval Sheet EP-FNMPCM2X28HS | Approval Sheet |
| 2D EP-FNMPCM2X28HS | 2D Drawing |
| | |
| | |
| | |

Exploding View:



Parts List



The kit includes the following items:

1. Heatsink bottom @1
2. Heatsink block with 2 sides thermal pad @1
3. HDD bracket @1
4. Rubber foot @1
5. Stand off for HDD bracket M3*10 @4
6. Screw for heatsink block & HDD bracket M3*6 @8
7. Screw for rubber foot M2.5*48 @4
8. Screw for HDD M3*5 @4
9. EPE @2
10. Plastic bag @1
11. White box @1

Not included with the kit, you may need to prepare:

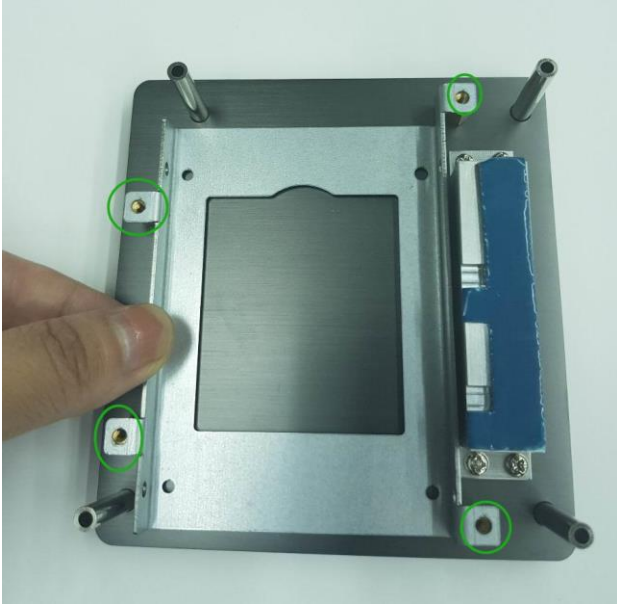
- Mini PC K1 < Mini PC Core i3/i5/i7>
- UP AI Core XM 2280 < PER-TAIX2-A10-2280>

Package of EP-FNMPCM2X28HS

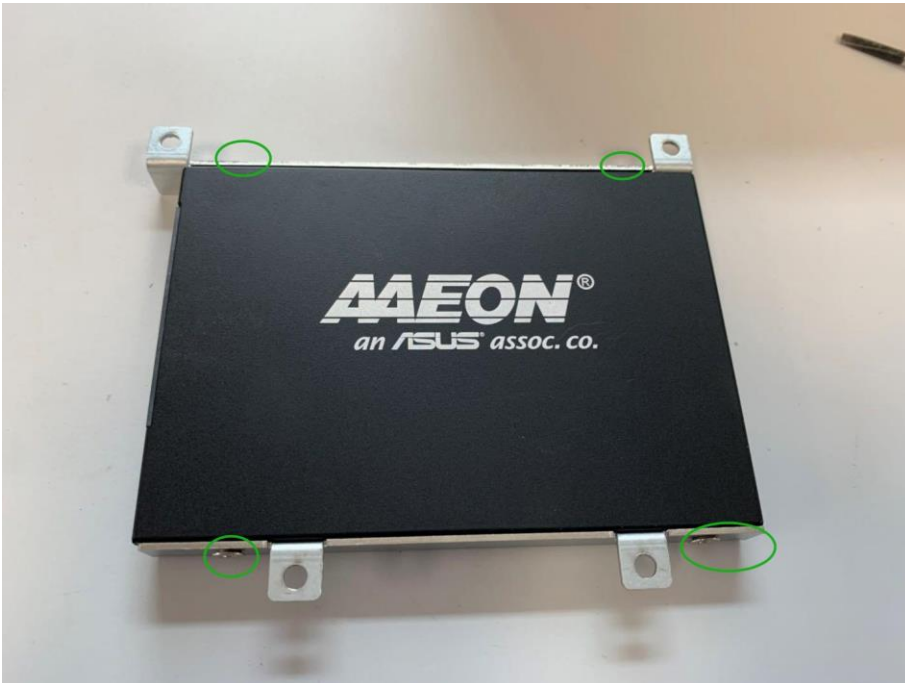


Assembly STEP start from unboxing:

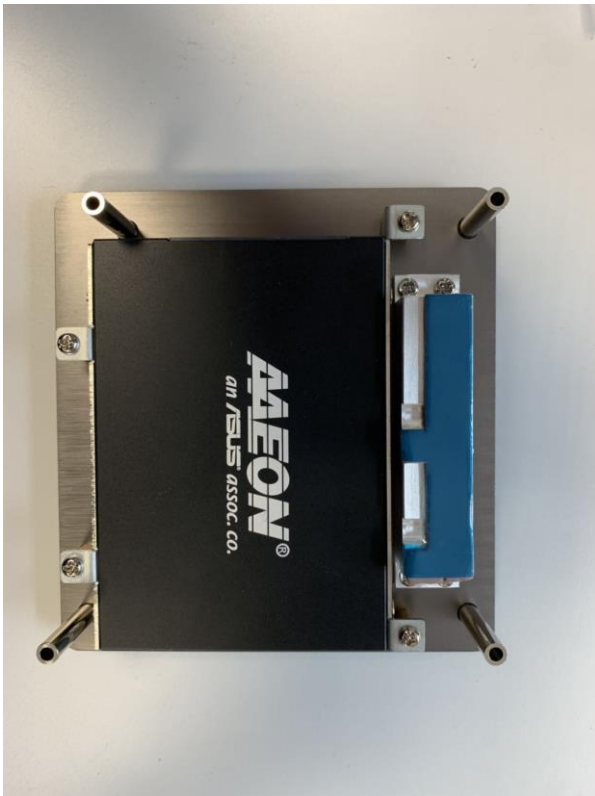
1. Unscrew the 4pcs M3*6 screws and release the HDD Bracket from bottom heatsink



2. Mounting the 2.5'' SSD on to the HDD bracket by fixing the 4pcs screws.



3. On tie the 4pcs M3*6 screws and fix the HDD bracket on the heatsink.
Get ready to connect the SATA Cable from the board to SSD.



4. Connect the SATA Cable carefully



5. Remove the original bottom plate and close it by new heatsink, and there is direction of the heatsink block must be matched with UP AI Core XM 2280



6. Take all parts out from rubber foot kit



7. Put the washer into the rubber foot



8. Put on the rubber foot to the hole accordingly and screw them by the long screws



9. Assembly done once make sure the 4-rubber foot be fixed successfully.

