

UP Squared Pro Edge

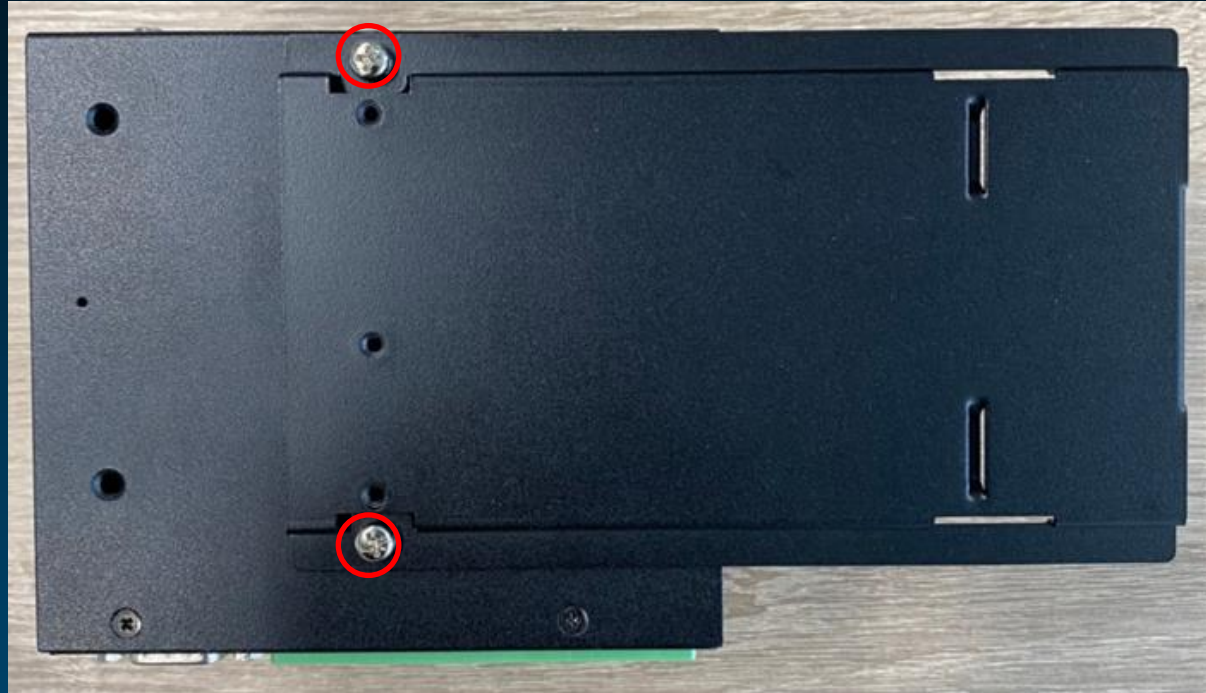
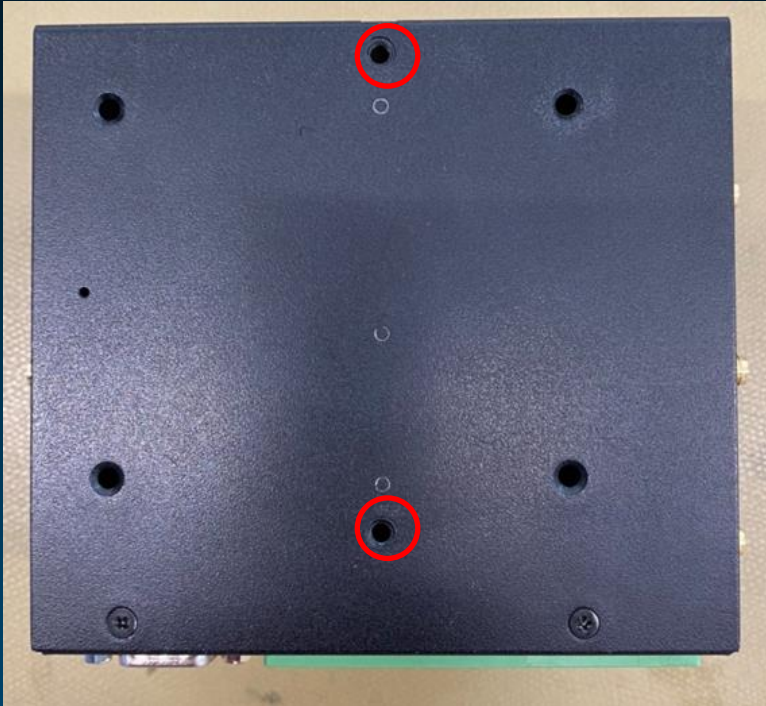
DIN Rail Kit Installation SOP

Revision: A0.1
Date: July 2022

www.up-board.org

Step 1:

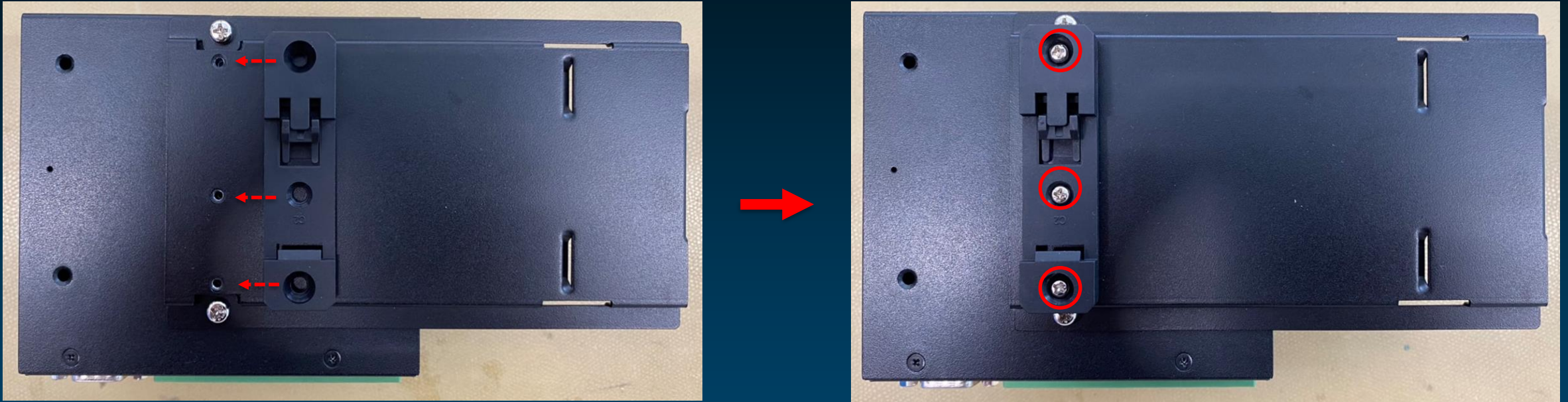
- Assemble the metal bracket to the bottom side of UP Squared Pro Edge with 2 screws



Bottom Side

Step 2:

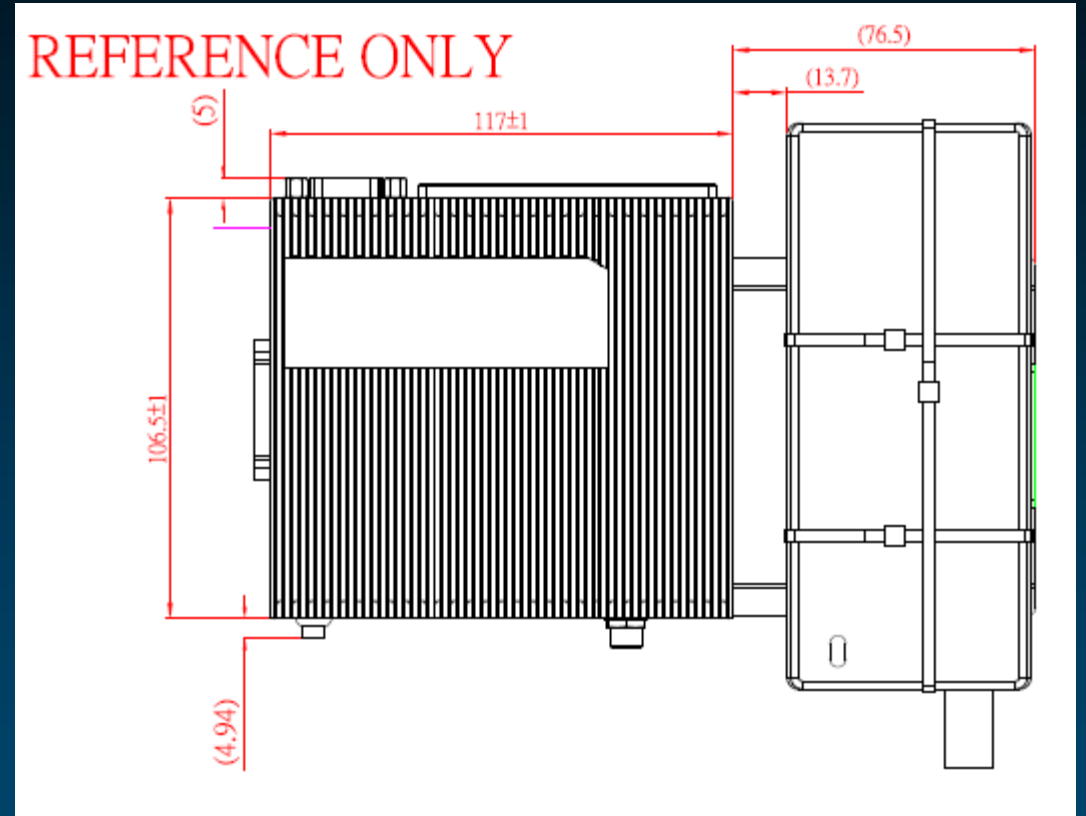
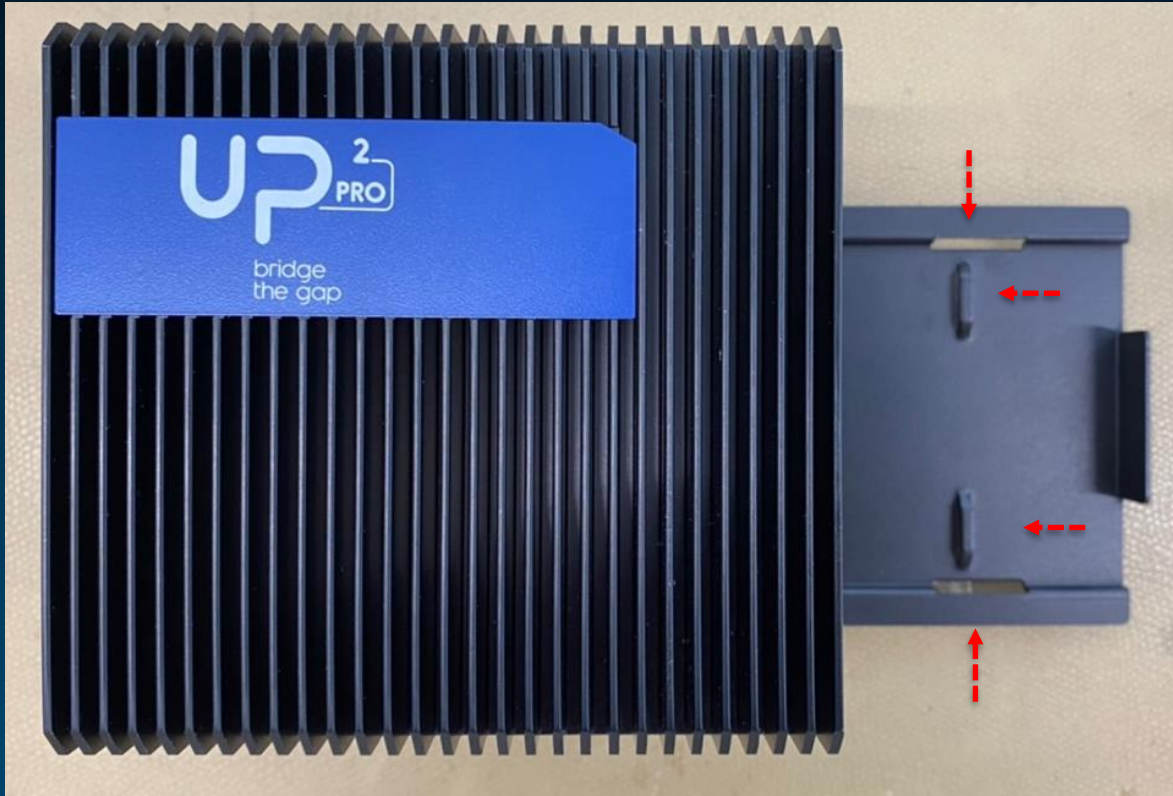
- Assemble the DIN Rail Clip to the metal bracket with 3 screws as below



Bottom Side

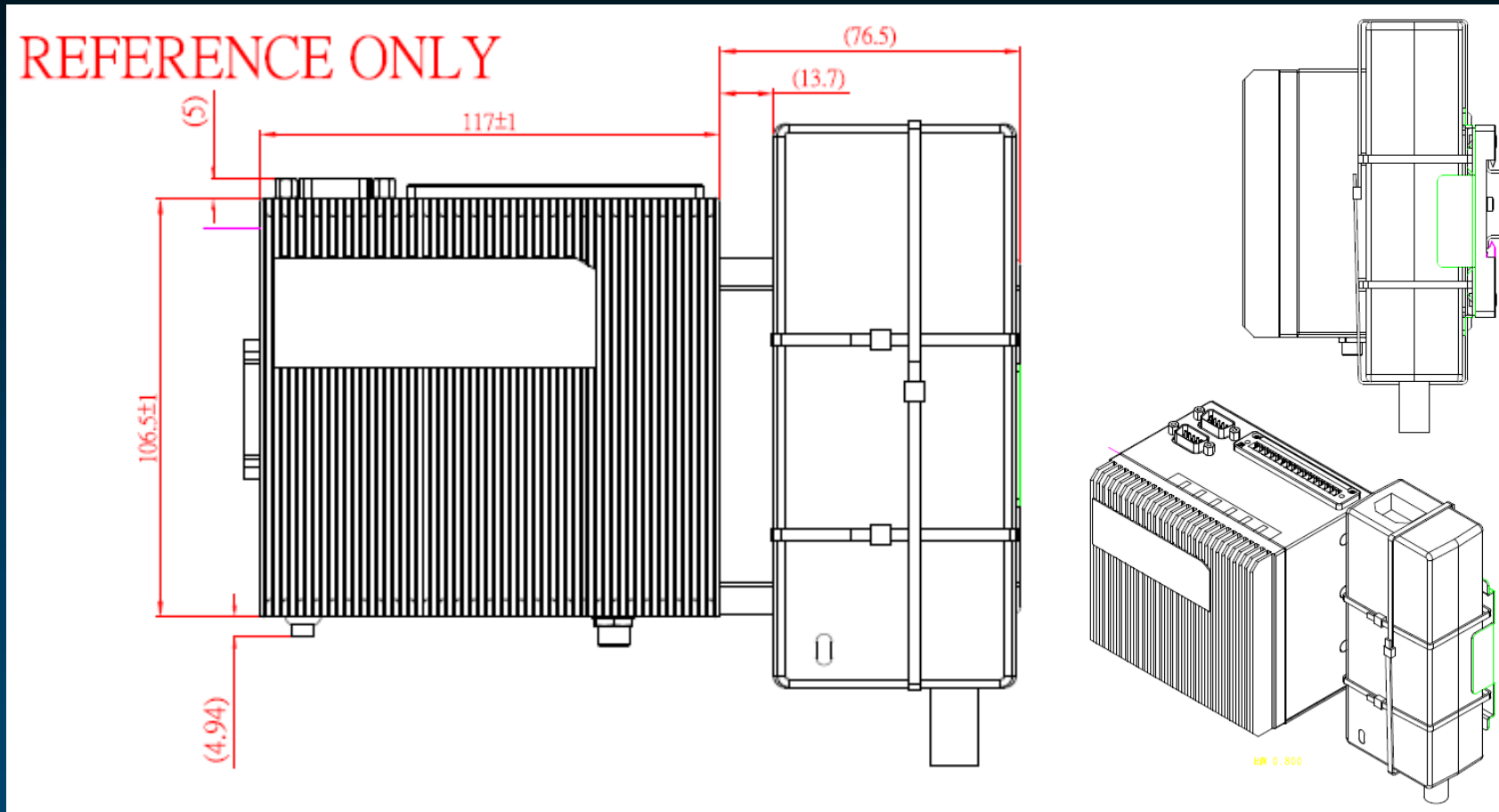
Step 3:

- Fix the power adapter to the metal bracket with 3 cable ties



Top Side

Complete Looking:



For more information:
<https://up-board.org/>



UP Xtreme i11
Edge Compute Enabling Kit
powered by Intel® 11th Gen Core™ processors

UP Xtreme

UP Xtreme i11 Edge Compute Enabling Kit

UP Xtreme



UP Shop

Search entire store here...

shop@up-board.org UP-board.org UP Community

Home Products Technology Driver Software Sale

Sign In

UP Squared Pro
5G Support | TSN Support

UP Squared Pro

Boards and Modules

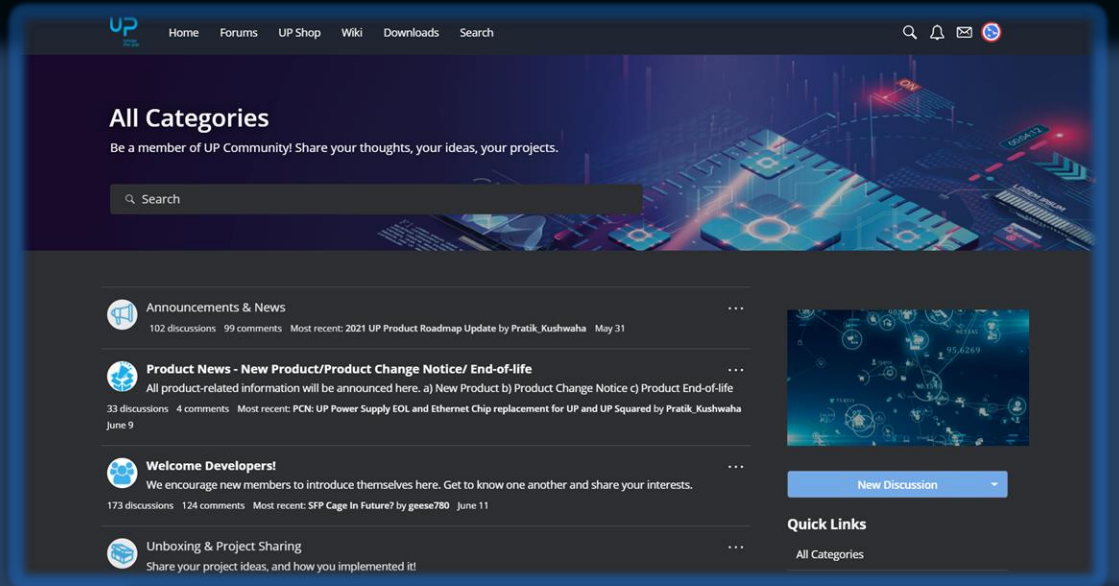
CE/FCC wireless certified products

UP Xtreme

UP Xtreme

intel.
partner
Titanium

www.up-board.org



UP

Home Forums UP Shop Wiki Downloads Search

All Categories

Be a member of UP Community! Share your thoughts, your ideas, your projects.

Search

Announcements & News
102 discussions 99 comments Most recent: 2021 UP Product Roadmap Update by Pratik_Kushwaha May 31

Product News - New Product/Product Change Notice/ End-of-life
All product-related information will be announced here. a) New Product b) Product Change Notice c) Product End-of-life
33 discussions 4 comments Most recent: PCN: UP Power Supply EOL and Ethernet Chip replacement for UP and UP Squared by Pratik_Kushwaha June 9

Welcome Developers!
We encourage new members to introduce themselves here. Get to know one another and share your interests.
173 discussions 124 comments Most recent: SFP Cage In Future? by geese780 June 11

Unboxing & Project Sharing
Share your project ideas, and how you implemented it!

New Discussion

Quick Links
All Categories

Community Support

UP Community

Join our developer community and share your knowledge about UP. Stuck with your project? Get help from one of the hundreds of industry professions that are already using UP!

UP Wiki

Learn more about UP with code and project examples, tutorials and OS installation guides

UP Downloads

Download everything you need to start your project. Our download area includes drivers, OS image, 2D/3D drawings, environment test reports, certifications and more.

Thank you!