

力诚企业有限公司

LICHENG (BEST HONOUR) ELECTRONIC WIRE & CABLE CO., LTD.

承認書

APPROVAL SHEET

CUSTOMER: 客 户	伯知國際有限公司		
PRODUCT : 产品名称	安規法式 90 度 POWER SUPPLY CORD	CUSTOMER P/N 客户产品编号	
SPECIFICATION: 规 格	VDE H05VV-F 3 x 0.75mm2 CH201+CH202	Drawing No: 產 品 編號	V2010218L-01
REVISION: 1.1	Issued Date: 2016-03-03		
<input type="checkbox"/> 力誠电线电缆股份有限公司 台湾新店市中正路 518 巷 1 号 1F TEL: (+886) 22186242 E-mail: ying1781@hotmail.com FAX: 02-22184562			
<input checked="" type="checkbox"/> 东莞市正全电线有限公司 广东省东莞市虎门镇 怀德大岭山林场 TEL: (+86) 0769 85519149 E-mail: steven.chen@chenghotech.com			
<input type="checkbox"/> CHENGHO POWER SOLUTION 2517 W 237 th Suite D Torrance, 90505 CA, USA TEL: (+1)310-234 0278 E-mail: steven.er@chenghotech.com			
Prepared By 制 作	Checked By 审 核	Approved By 承 认	Customer Approval 客 户 承 认
<i>Steven Chen</i>	<i>Tina Xiao</i>	<i>Mr. Seven</i>	

品名: POWER SUPPLY CORD

1.适用范围:本规格依据 VDE0620 标准制造,寸法及测试均按本规定.

2.构造: PLUG (插头) 型式: CH-201 规格: 250V 16A

CONNECTOR 型式: CH-202 规格: 250V 10A

2-1 PLUG 及 CONNECTOR 尺寸参照附图样(二),图(三).

2-2 CORD: H05VV-F 3G 0.75mm²

P.V.C: 芯线厚度: 0.6mm

被覆厚度: 0.8mm

外径: 6.8mm_{±0.2}

3.特性:

3-1 CORD SET.

a. 外观:PLUG.CONNNECTOR.CORD 表面不能有异状、损毁等情形.

b. 导通:不能有断线和短路发生.

c. 绝缘阻抗:于室温 25°C DC 500V 测定两导体间绝缘电阻须在 100MΩ 以上(100%用绝缘测试机测试)

d. 耐电压测试:使用 AC 2000V 遮断电流设定 1mA 测试. 两导体间之绝缘耐电压一分钟,不能有失败现象.

e. 荷重试验:1. 插片及线间施加 13.6kg 之重量一分钟,不能有异状.

2.CONNNECTOR 标准拉拔力 9 →54N.

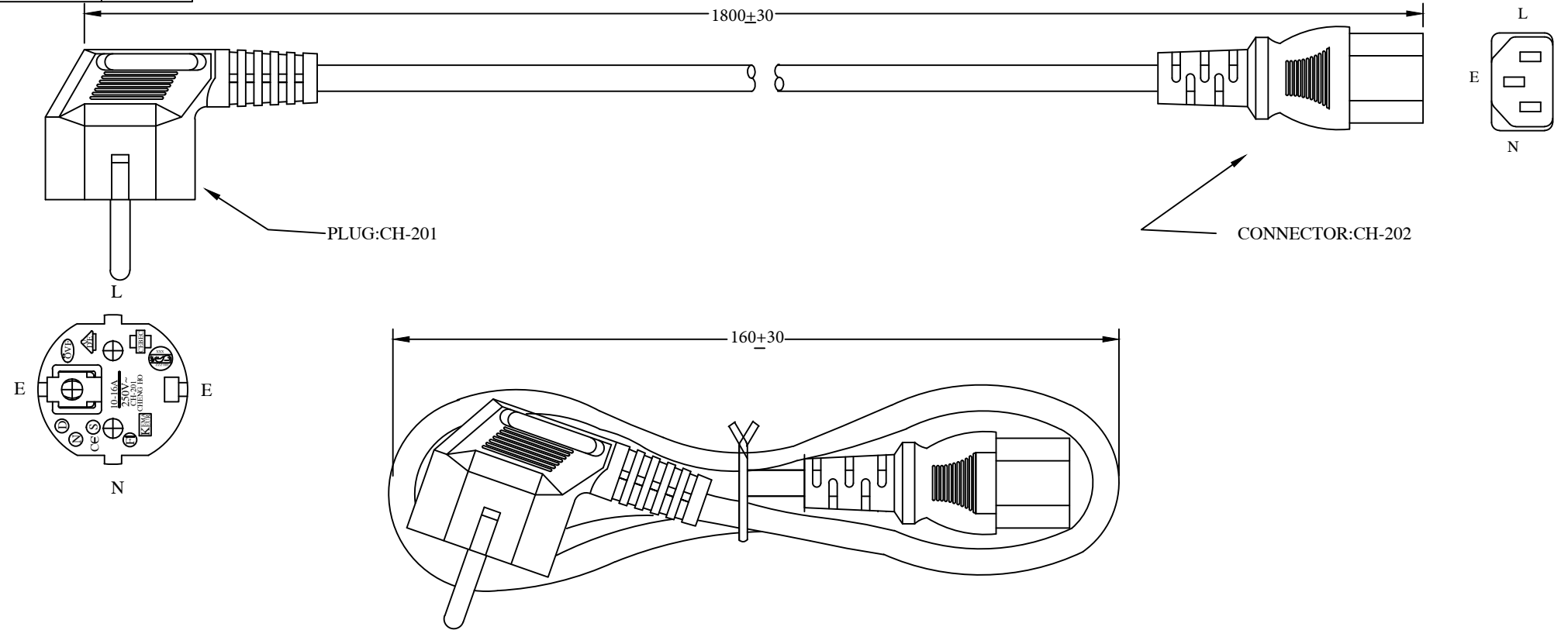
3-2CORD

a. 导体抵抗:室温 25°C 20.9 → 21.9 Ω/kin.

b. 绝缘抵抗:室温 25°C DC 500V 10MΩ/kin 以上.

REV. NO	1.0
TIME	160216

DWG. NO	V2010215L-1
---------	-------------



SPECIFICATION:

- 1.LENGTH :1800mm
- 2.COLOR :BLACK(JACKET)
- 3.PLUG :CH-201 16A 250V
- 4.CONNCTOR:CH-202 10A 250V
- 5.CABLE : H05VV-F
3 G 0.75mm²

MARKING:

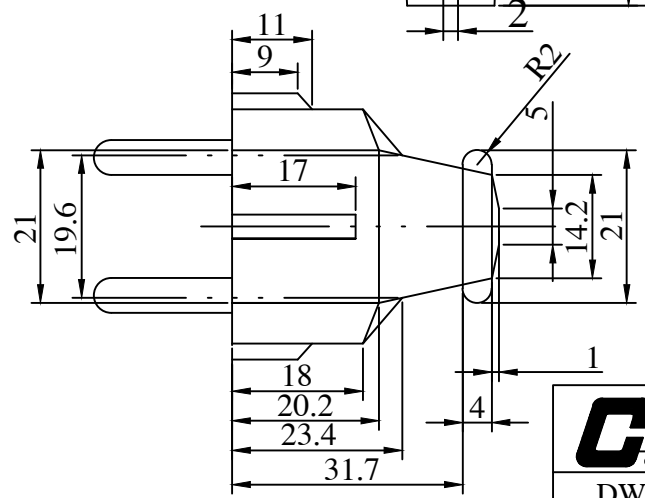
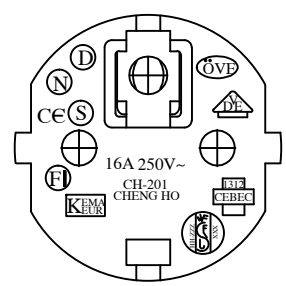
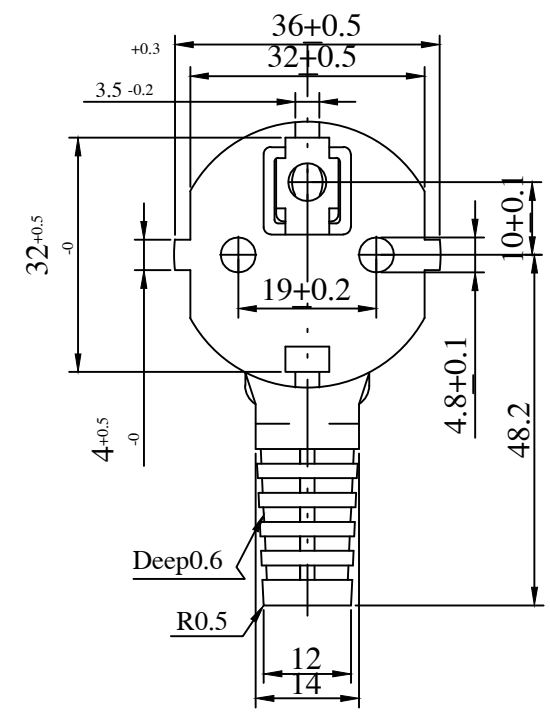
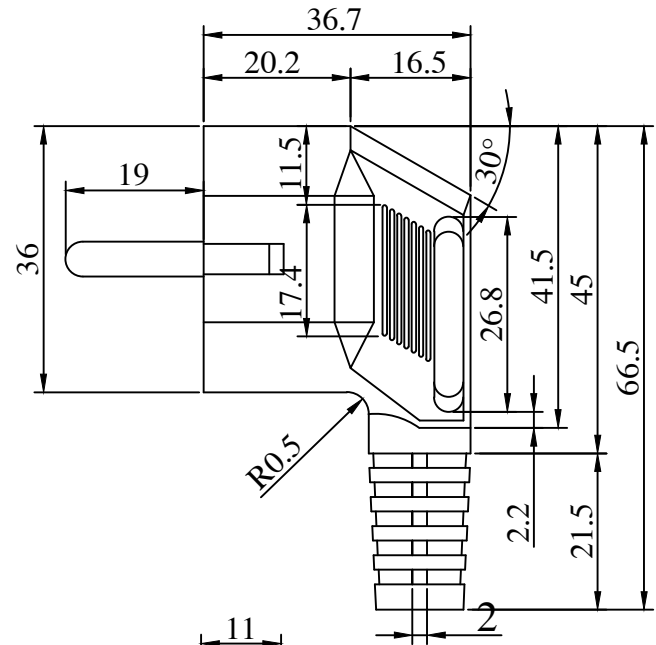
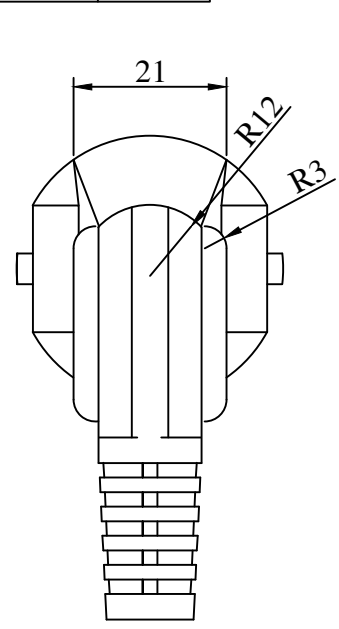
- 1.PLUG:
ce 16A 250V~ CH-201 CHENG HO
- 2.CONNCTOR:
 10A250V~ CHENG HO CH-202 E198647
- 3.CABLE: BEST HONOUR H05V
V-F 3G 0.75mm² + + + + + 0VE
 KEMA-KEUR

DWN.BY	Tsao	DWG NAME	P/N.
CHK.BY	Steven	安規法式	V2010215L-1
APPR.BY			
ALL DIMENIONS IN mm			

REV. NO	1.0
TIME	010512

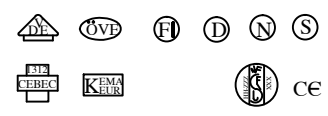
DWG. NO	CH-201
---------	--------

UNIT:mm 未注公差±0.5



MARKING:

16A 250V~ CH-201
CHENG HO

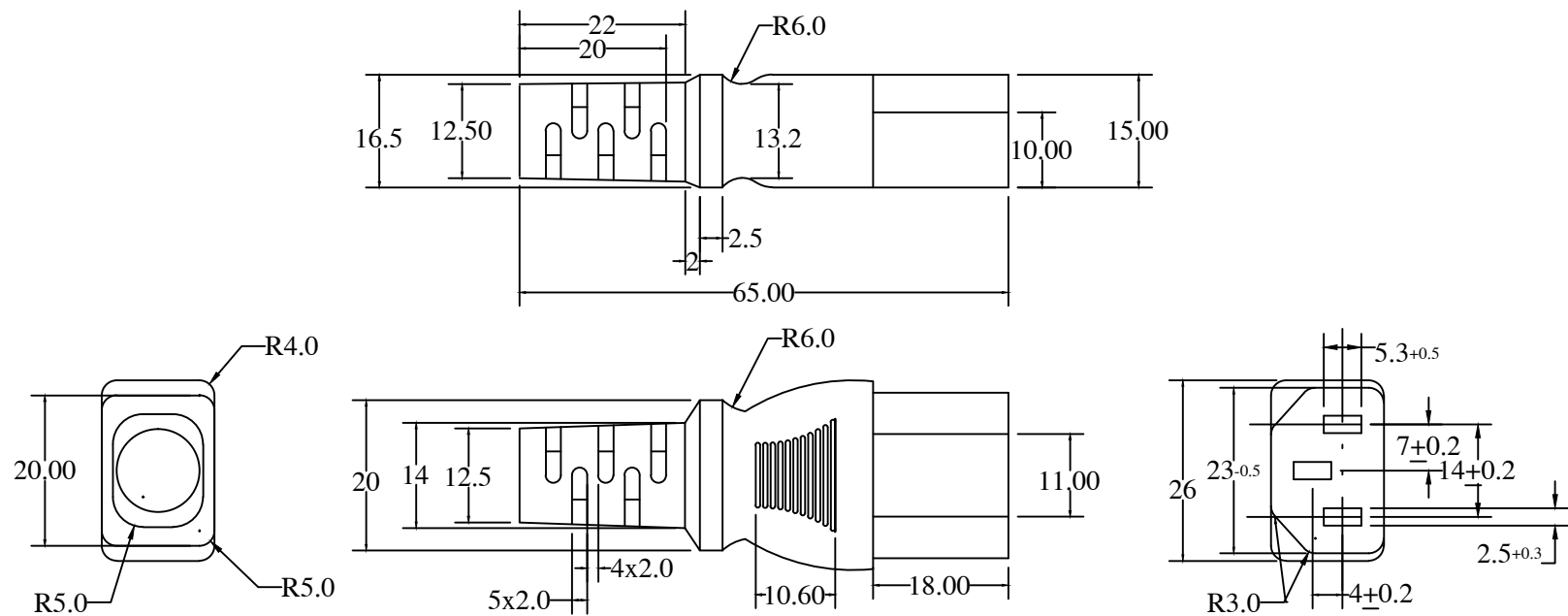


CHENG HO WIRE & CABLE CO. LTD

DWN.BY	曹振作	DWG NAME	P/N.
CHK.BY			
APPR.BY		法式插头	CH-201
ALL DIMENIONS IN MM			

REV. NO	1.1
TIME	20010101

DWG. NO	CH-202
---------	--------



MARKING:

(S) (FI) (N) (D)

DE (S) KEMA
EUR

CEBEC (ÖVE)

10A250V~

CHENG HO
CH-202



CHENG HO WIRE & CABLE CO . LTD

DWN.BY	CAO ZHEN ZUO	DWG NAME	P/N.
CHK.BY			
APPR.BY		品字尾插	CH-202
ALL DIMENIONS IN MM			



诚和电线电缆有限公司
CHENG HO WIRE & CABLE CO.,

电线名称: VDE H05VV-F线

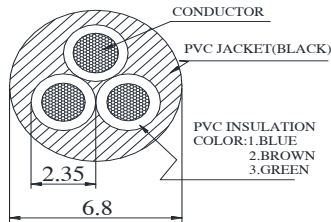
产品编号: W02275011-01

规格表

制作日期: 2015/04/02

规格		0.75mm²*3G
导体	构成/材质	30/0.178AS
	单根线径	0.178±0.005
	绞向/绞距	S/32 ↓
	填	/
绝缘	绝缘材	60°C PVC
	平均厚度AVG.	0.60
	最小厚度MIN.	0.44
	绝缘线径	2.35±0.1
	绝缘颜色	BLUE/BROWN/GREEN
	印字内容	/
集合	包纸/铝箔规格	/
	填	/
	地线构成	/
	绞向/绞距	/
被覆	被覆材	60°C PVC
	平均厚度 AVG.	0.80
	最小厚度	0.69
	被覆线径	6.8±0.2
	被覆颜色	BLACK
	印字内容:	BEST HONOUR H05VV-F 3G 0.75MM ² ◁VDE▷ ◁SVE▷ KEMA-KEUR +~+~+~ (E) (D) (N) (S) (EBC)

图示



修订日期	变更内容
版次	A1

审核:

制作:曹振作

取
規
**ZEICHENGENEHMIGUNG
MARKS LICENCE**

Cheng Ho Wire & Cable Co. Ltd.
No. 347 Nan San Road Sec. 1 Lu-Chu Hsiang
TAOYUAN HSIEN
Taiwan

ist berechtigt, für ihr Produkt /
is authorized to use for their product

**Stecker nicht wiederanschließbar
Plug non-rewirable
CH-201**

die hier abgebildeten markenrechtlich geschützten Zeichen für die
ab Blatt 2 aufgeführten Typen zu benutzen /
the legally protected Marks as shown below for the types referred to on page 2 ff.



Geprüft und zertifiziert nach /
Tested and certified according to

E DIN VDE 0624-1 (VDE 0624 Teil 1):1999-09 (ermächtigt)

VDE Prüf- und Zertifizierungsinstitut
VDE Testing and Certification Institute
Zertifizierungsstelle
Certification

Aktenzeichen: 24009-1560-0001 / 32RTY F33 / E

File ref.:

Ausweis-Nr.: 136139

Licence No.:

Blatt 1
page

Weitere Bedingungen siehe Rückseite und Folgeblätter /
further conditions see overleaf and following pages

Offenbach, 2001-07-05



LCIE

Accréditation
N° 5-0014

LICENCE



LCIE N° 38907010

Délivrée à:
Delivered to:

CHENG HO WIRE & CABLE Co. Ltd

Site de fabrication :
Factory :

N° 347 Sec. 1 Nan--Shan Road Lu-Chu Hsian TAOYUAN - TAIWAN
CHENG HO WIRE & CABLE FACTORY (1493A)

Produit:
Product:

Dalingshan Forestry Centre Hu Men Town Guangdong DONGGUAN CITY - CHINE

Fiche de prise de courant
Plugs

Marque commerciale (s'il y a lieu):
Trade mark (if any):

CHENG HO

Modèle, type, référence:
Model, type, reference:

CH 201

Caractéristiques nominales et principales:
Rating and principal characteristics:

16A 250V- 2P-2T / 2P+2E

Informations complémentaires:
Additional informations:

Non-démontable/non-rewirable - Ordinaire/ordinary - Entrée de câble longitudinale/longitudinal cord insertion - Equipé de câble/fitted out with cord H05VV-F 3G0,75 et/and 3G1,0mm²

Le produit est conforme à:
The product is in conformity with:

NF C 61-303(1999)

Documents pris en compte:
Relevant documents:

SE-14439 (TR 9927107-01), 38907020 - Procédure OC / CB schéma

Annule et remplace (s'il y a lieu):
Cancels and replaces (if necessary):

/

Cette licence autorise l'usage de la marque NF pour le produit dans les conditions du règlement de la marque NF, pour autant que les contrôles réguliers de la fabrication et les vérifications par tierce partie soient satisfaisants.

This licence permits the use of the Mark NF for the product in compliance with the Regulation of the NF Mark, as far as the regular checking and party verifications of the production are satisfactory.

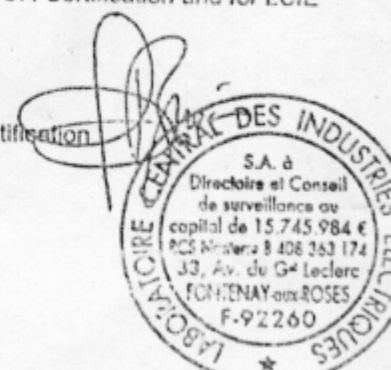
Fontenay-aux-Roses, 18 Septembre 2002

Par mandatement de AFNOR Certification et pour le LCIE
By mandate from AFNOR Certification and for LCIE

Date limite de validité : Néant
Limit expired date : Nil

Michel BRENON
Responsable de la certification
Certification manager

etc/



CERTIFICATE

Dongguan Changan Cheng Ho Wire & Cable Factory
Dalingshan Forestry Centre Hu Men Town, Dongguan City
Guangdong, CHINA

The product has certificate 9927107/01 in accordance with
the Nordic Certification Service system.

Product	Plug , non-rewirable
Type	CH-201, with cord H05VV-F 3G0,75-1
Trade mark	CHENG HO
Certificate Holder/ Manufacturer	Cheng Ho Wire & Cable Co., Ltd No. 347 Sec. 1 nan-Shan Road Lu-Chu Hsiang Taoyuan, TAIWAN
Technical information	16 A, 250 V-, IP 20
Other information	Standard sheet CEE7/VII, all colours, thermoplastic material
The product is certified according to the following standard(s)	IEC 60884-1:1994 + A1:1994 + A2:1995 SFS 5610:1996 + A1:1998

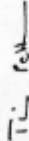
Validity

This certificate is valid up to 31 December 2009 and it includes the right
to use the FI mark under the condition that the conditions of the framework
contract for testing and certification activities are fulfilled and that changes (if any)
will be reported to FIMKO before they have been carried out.

Date of issue

27 December 1999

Signature


Timo Peitonen
Team Leader

FIMKO LTD

This certificate has 1 appendix

Manufacturer:

Cheng Ho Wire & Cable Co. Ltd.
No. 347 Sec., 1 Nan-Shan Road,
Lu-Chu Hsiang, Taoyuan
CN-Taiwan, China

Factory location(s):

Dongguan Changan Cheng Ho Wire & Cable Factory
Dalingshan Forestry Centre, Hu Men Town
CN-Dongguan City, Guangdong, China

Tested and certified according to:

ÖVE/ÖNORM IEC 60884-1:2000-03-01
ÖNORM E 6623:1996-04

Product: Non rewirable two pole plug with dual earthing system

Type designation:

Trademark:

Rating:

CH-201
Rated voltage: AC 250 V
Rated current: 16 A
H05VV-F 3 G 0,75

Cheng Ho

CH-201
Rated voltage: AC 250 V
Rated current: 16 A
H05VV-F 3 G 1

Cheng Ho

Additional Information and Manufacturing site

Code 99TP = All colours, thermoplastic material.
Plug according to standard sheet VII.

Manufacturing site:

**DONGGUAN CHANGAN CHENG HO
WIRE & CABLE FACTORY**
Dalingshan Forestry Centre
Hu Men Town, Dongguan City,
GUANGDONG
CHINA

CERTIFICATE

Product Safety

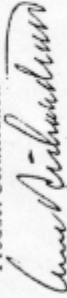
<i>Reference No./pos</i>	9927107/01
<i>Product</i>	Plug with cord
<i>Certificate holder/ manufacturer</i>	CHENG HO WIRE & CABLE CO., LTD No. 347 Sec. 1 Nan-Shan Road, Lu-Chu Hsiang, TAOYUAN TAIWAN
<i>Type designation</i>	CH-201
<i>Technical data</i>	IP-Class: 20 Rated Voltage (V): 250 Rated Current (A): 16 Design Code: 99TP With cord H05VV-F 3 G 0.75 mm ² or H05VV-F 3 G 1.0 mm ² .
<i>The product complies with the standard(s)</i>	EMKO-TSI (23B) FI 226/92-12 IEC 60884-1:1994 + A1:1994 + A2:1995 and CEE 7
<i>Date of expiry</i>	31 December 2009

Terms and additional information overleaf and in Appendix 1.

Stockholm
7 December 1999

SEMKO AB

Product Certification



Owe Richardson



Certificate No. 00-00505

DEMCO CERTIFICATE

Product: Non-rewirable two pole Plug with Cord
Manufacturer: Cheng Ho Wire & Cable Co., Ltd.
Production site: No. 347 Sec. 1 Nan-Shan Road, Lu-Chu Hsiang, Taoyuan, Taiwan
 Dalingshan Forestry Centre, Hu Men Town, Dongguan City, Guangdong, China
Certified by request of: CEST
 3 Taishanmiaojian, Nancun Road, Guangzhou, 62030, China
Trademark: CHENG HO
Model/Type ref.: CH-201
Rated current or power: 16 A
Rated voltage: 250 V
Insulation Class:
Degree of protection: IP 20
Additional information: Plug according to Standard Sheet VJI CFE 7, Cord: H05VV-F 3 G 0.75 mm² or H05VV-F 3 G 1.0 mm². All colours, thermoplastic material

Detailed specification of the certified product(s) is listed in the appendix.

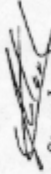
A sample of the product has been tested and found in conformity with IEC 60884-1:1994 + A1:1994 + A2:1995 and CEE7/ENKO-TS(23B) F1 226 92-12.

Furthermore, the product complies with the national deviations in the following countries:
 Denmark.

Date of expiry: 2009-12-07.

The manufacturer complies with the Provisions on Voluntary Requirements DEMKO AS as a self-nominating Member States and Commission of the European Communities according to the provisions of article 8 of the Low Voltage Directive
 Product included in this certificate are allowed to carry the registered approval marks of DEMKO A.S. ® or for cables CEUKO's. The name of DEMKO can be used in the marketing of the products as well.
 This certificate is only valid for products which are identical to the certified product, and manufactured at the above mentioned productive plant.
 DEMKO AS has to be informed in writing about any changes, in accordance with the "DEMKO AS Standard Terms and Conditions" for DEMKO services

Herlev, 2000-02-14


 Steen Lumby
 Certification Manager



Nemko CERTIFICATE

No. P99102851

Order No. 199951105

Applicant: CEST
 3 Taishanmiaojian, Nancun Road
 Guangzhou, 510220
 P.R. CHINA

Manufacturer: Cheng Ho Wire & Cable Co., Ltd.
 No. 347 Sec. 1 Nan-Shan Road
 Lu-Chu Hsiang, Taoyuan
 TAIWAN R.O.C.

Factory: Dongguan Changan Cheng Ho Wire & Cable Factory
 Dalingshan Forestry Centre
 Hu Men Town, Dongguan City
 Guangdong
 P.R. CHINA

Group 03 43000: Non-rewirable 2-pole plugs with dual earthing-contacts.
 Standard sheet VII

Model/type: CH-201

Data: 16A 250V

Other specification: Black thermoplastic, with H05VV-F, 3G0,75mm²

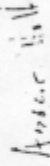
The above product is certified according to the flwg. standard: Safety std.: NEK-IEC 60884-1:94 + A1:94 + A2:95 + relevant parts of CEE7

Validity: The certificate is valid until 1 January 2010, provided that all signed certification conditions are complied with, and that possible changes to the product are notified to Nemko for acceptance prior to implementation. The validity time may be reduced in case new standards are made applicable. The certificate also applies as licence for use of Nemko's name and certification mark.

Variants: This Certificate also covers a variant with Position No. 001
 See next page

Date of issue 22 December 1999


 signature
 Ragnar Koltzow
 Head of section


 signature
 Asgeir Holt

CERTIFICATE

KEMA No.: 2025227.01

Issued to:
Applicant:
Cheng Ho Wire & Cable Co., Ltd.
No. 347 Sec. 1 Nan-Shan Road,
TAOYUAN, Taiwan

Manufacturer/Licensee:
Cheng Ho Wire & Cable Co., Ltd.
No. 347 Sec. 1 Nan-Shan Road,
TAOYUAN, Taiwan

Product(s) : plugs, (2-pole)

Trade name(s) : CHENG HO

Type(s)/model(s) : CH-201

The product and any acceptable variation thereto is specified in the Annex to this certificate and the documents therein referred to.

KEMA hereby declares that the above-mentioned product has been certified on the basis of:

- a type test according to the standard IEC 60884-1:1994+A1:94+A2:95
- an inspection of the production location according to CENELEC Operational Document CIG 021
- a certification agreement with the number 2025227

KEMA hereby grants the right to use the KEMA-KEUR certification mark



The KEMA-KEUR certification mark may be applied to the product as specified in this certificate for the duration of the KEMA-KEUR certification agreement and under the conditions of the KEMA-KEUR certification agreement.

This certificate is issued on: July 7, 2003

H.R.M. Barends
Certification Manager

© Integral publication of this certificate is allowed



CEBEC

LICENCE

No. 12837

Issued to:

Applicant:

Cheng Ho Wire & Cable Co. Ltd.

No. 347, Sec. 1, Nan Shan Rd

Lu-Chu Hsiang

TAOYUAN HSIEN

Taiwan

Licensee:

Cheng Ho Wire & Cable Co. Ltd.

No. 347, Sec. 1, Nan Shan Rd

Lu-Chu Hsiang

TAOYUAN HSIEN

Taiwan

Product : plugs (2-pole) for household purposes

Trade name(s) : CHENG HO

Type(s)/model(s) : CH-201

The product and any acceptable variation thereto is specified in the annex to this licence and the documents therein referred to.

CEBEC hereby declares that the above-mentioned product has been certified on the basis of:

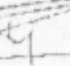
- a type test according to the standard specified in annex
- an inspection of the production location according to CCA Group Operational Document CIG 021
- a certification agreement with the number 1312

CEBEC hereby grants the right to use the CEBEC certification mark



The CEBEC certification mark may be applied to the product as specified in this licence for the duration of the CEBEC certification agreement and under the conditions of the CEBEC certification agreement.

This licence is issued on: 27/09/2012


Mr. R. Maquestiau,
Managing Director

• Only integral publication of this certificate, including the annex, is allowed

VDE Prüf- und Zertifizierungsinstitut

ZEICHENGENEHMIGUNG MARKS APPROVAL

Cheng Ho Wire & Cable Co. Ltd.
No. 347 Sec.1 Nan-Shan Road
Lu-Chu Hsiang
TAOYUAN
TAIWAN

ist berechtigt, für ihr Produkt /
is authorized to use for their product

Gerätesteckdose, nicht-wiederanschließbar
Connector, non-rewirable
CH-202

die hier abgebildeten markenrechtlich geschützten Zeichen
für die ab Blatt 2 aufgeführten Typen zu benutzen /
the legally protected Marks as shown below for the types referred to on page 2 ff.



Geprüft und zertifiziert nach /
Tested and certified according to

DIN EN 60320-1 (VDE 0625 Teil 1):2002-06; EN 60320-1:2001



Befristet zum / valid until: 2010-09-30

Aktenzeichen: 2379100-1550-0001 / 114136
File ref.:

VDE Prüf- und Zertifizierungsinstitut GmbH
Testing and Certification Institute
Zertifizierungsstelle / Certification

Ausweis-Nr. 40015267 Blatt 1
Certificate No. Page

Weitere Bedingungen siehe Rückseite und Folgebblätter /
further conditions see overleaf and following pages

Offenbach, 2005-08-30
(letzte Änderung/updated 2009-02-17)

VDE Zertifikate sind nur gültig bei Veröffentlichung unter:
VDE certificates are valid only when published on:

<http://www.vde.com/zertifikat>
<http://www.vde.com/certificate>

VDE



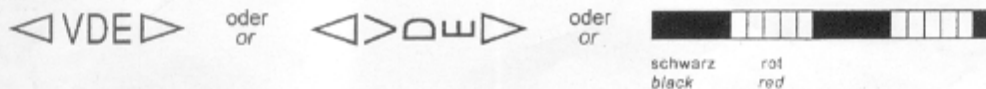
ZEICHENGENEHMIGUNG MARKS LICENCE

**Best Honour Electric Wire & Cable
Factory
No. 347 Nan San Road Sec. 1 Lu-Chu Hsiang
TAOYUAN HSIEN
Taiwan**

ist berechtigt, für ihr Produkt /
is authorized to use for their product

**Flexible Leitungen
Flexible cables and cords**

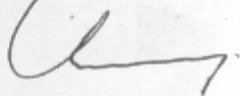
die hier abgebildeten markenrechtlich geschützten Zeichen für die
ab Blatt 2 aufgeführten Typen zu benutzen /
the legally protected Marks as shown below for the types referred to on page 2 ff.



Geprüft und zertifiziert nach /
Tested and certified according to

DIN VDE 0281-5 (VDE 0281 Teil 5):2001-01 HD 21.5 S3:1994 + A1:1999

VDE Prüf- und Zertifizierungsinstitut
VDE Testing and Certification Institute
Zertifizierungsstelle
Certification



Aktenzeichen: 22120-5140-0005 / 32C9R F42 / STR
File ref.:
Ausweis-Nr.: 118830
Licence No.:

Blatt 1
page

Weitere Bedingungen siehe Rückseite und Folgeblätter /
further conditions see overleaf and following pages

Offenbach, 1999-03-05
(letzte Änderung/updated 2001-01-09)

VDE Prüf- und Zertifizierungsinstitut Zeichengenehmigung

Ausweis-Nr. /
Licence No.
118830

Blatt /
page
2

P3/4

Name und Sitz des Genehmigungs-inhabers / Name and registered seat of the Licence holder

Best Honour Electric Wire & Cable Factory, No. 347 Nan San Road Sec. 1 Lu-Chu Hsiang
TAOYUAN HSIEN, Taiwan

Aktenzeichen / File ref.

22120-5140-0005 / 32C9R F42 / STR

letzte Änderung / updated

2001-01-09

Datum / Date

1999-03-05

Dieses Blatt gilt nur in Verbindung mit Blatt 1 des Zeichengenehmigungsausweises Nr. 118830.
This supplement is only valid in conjunction with page 1 of the Licence No. 118830.

Jahresgebühren-Einheiten /
Annual fee units

Flexible Leitungen Flexible cables and cords

Typ(en) / Type(s):

H03VV-F 3 G 0,5 ... 0,75 mm²

H03VVH2-F

H05VV-F 3 G 0,75 ... 1,5 mm²

+
+
+

Firmenzeichen
Trademark

BEST HONOUR

Dieser Zeichengenehmigungs-Ausweis bildet die Grundlage für die EG-Konformitätserklärung und CE-Kennzeichnung durch den Hersteller oder dessen Bevollmächtigten und bescheinigt die Konformität mit den genannten Normen im Sinne der **EG-Niederspannungsrichtlinie 73/23/EWG** mit ihren Änderungen.

This Marks Licence is the basis for the EC Declaration of Conformity and the CE Marking by the manufacturer or his agent and shows the conformity with the said standards as defined by the EC Low-Voltage Directive 73/23/EEC including amendments.

VDE Prüf- und Zertifizierungsinstitut
VDE Testing and Certification Institute
Fachgebiet F42
Section F42

Michael i. A. Reinke

