

亞 驪 企 業 股 份 有 限 公 司  
ARISTOTLE ENTERPRISES

承 認 申 請 書

ROHS COMPLIANCE

客戶名稱: 研揚科技股份有限公司  
Customer  
廠商料號: BTC013-70-150-1  
Part No.  
品名: SMA JACK – IPEX ,L=150mm  
Description  
圖號: BTC013-70-150-1.DWG  
Drawing No.  
客戶料號:  
Drawing No.

出廠簽章:

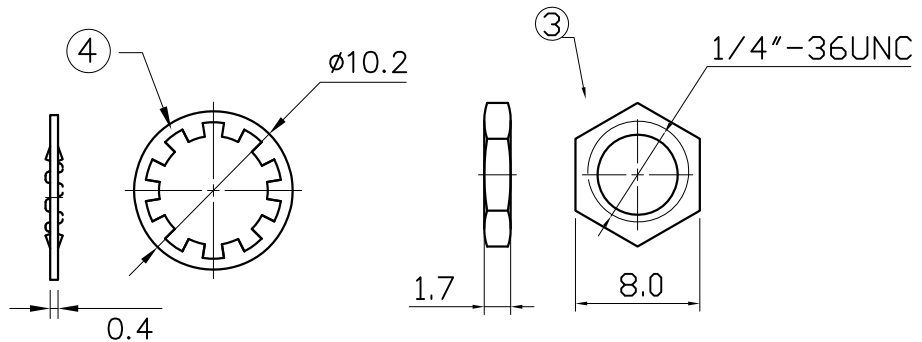
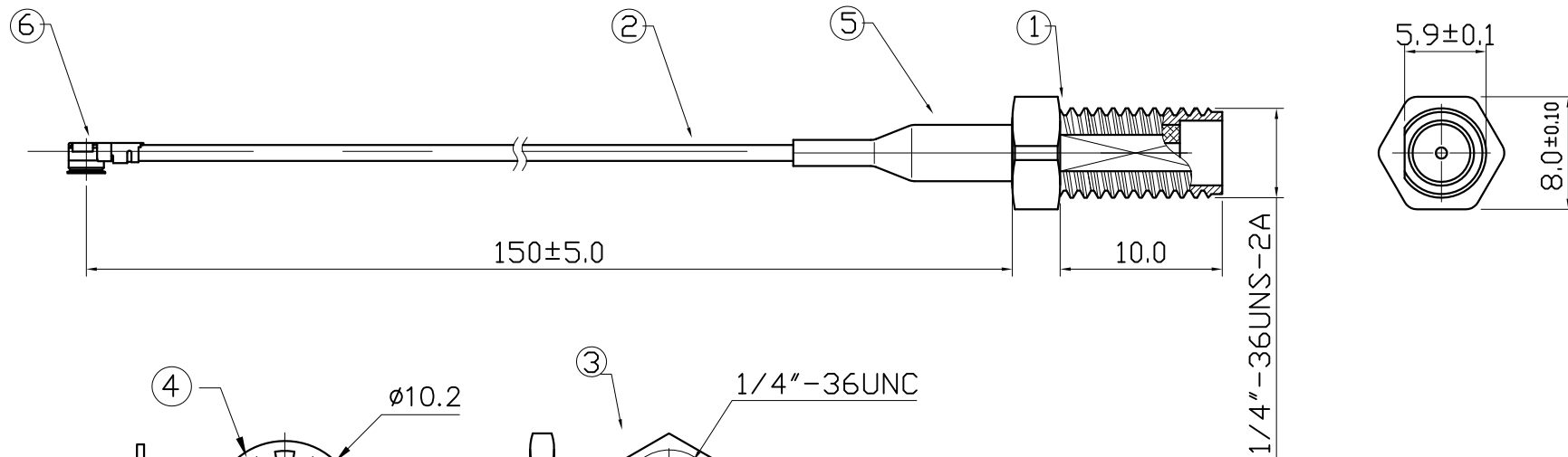
檢 查 TEST BY	核 對 CHECK BY	承 認 APPROVE BY
周沂珮	黃秋芳	廖煥文

承認簽章:

檢 查 TEST BY	核 對 CHECK BY	承 認 APPROVE BY

地址:新北市中和區莒光路 63 號 8 樓  
電話:02-2225-8209  
傳真:02-2225-7523

NO.	NAME	FINISH	MAT'L	Q'TY	MEMO
1.	CONNECTOR	GOLD PLATED	BRASS	1	SMA JACK
2.	Cable	GRAY	--	1	Ø1.13
3.	Nut	GOLD PLATED	BRASS	1	
4.	Washer	GOLD PLATED	BRASS	1	
5.	Heat-Shrinkable	BLACK	PE	1	
6.	CONNECTOR	GOLD PLATED	BRASS	1	IPEX



Note:

包裝時 (3) (4) 三件與線材分開包裝

PROJECTION 	TOLERANCE UNLESS OTHERWISE SPECIFIED		亞驪企業股份有限公司 ARISTOTLE ENTERPRISES INC.	
	LINEAR	ANGLE	TITLE BTC013-70-150-1	
	.0 ± 0.10	X° REF ± 0.51		
UNITS MM	.00 ± 0.05	.000 ± 0.01	SHEET 1/1	
3.	REV.	APPD.	DWG NO.	
2.		CHKD.	BTC013-70-150-1	
1.	SIZE	DESIGN	REV.	
REV	ECN	NAME	A4	A
		DATE	DRAW	
			Gino	2016/12/01