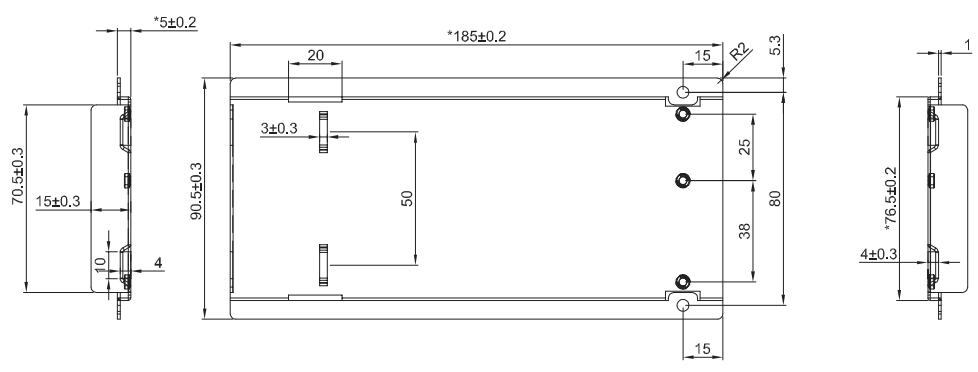
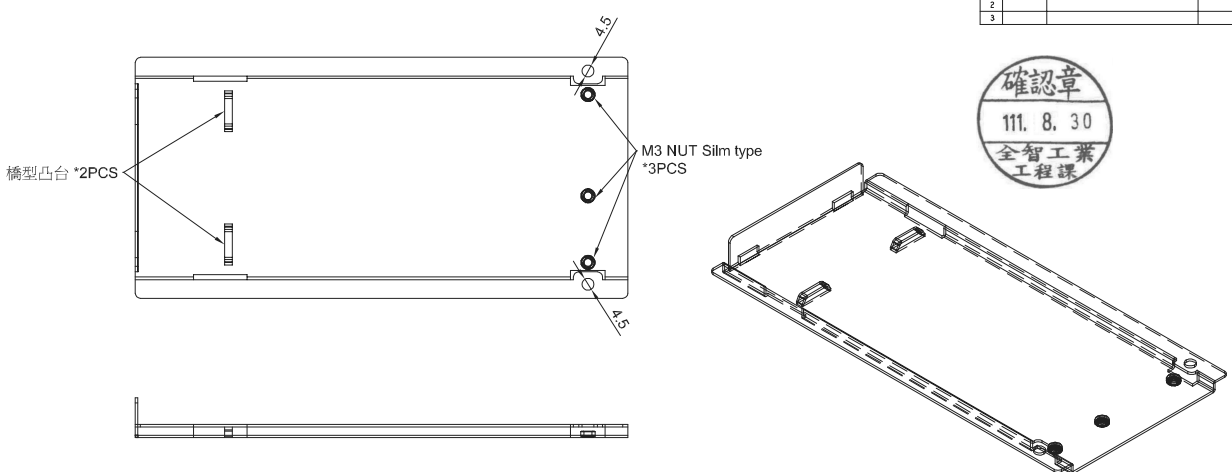


A B C D E F G H I J K L M N O P Q R S A2

ITEM	DATE	REMARK	DESIGNED	APPROVED
1				
2				
3				



- 備註:
- 1.材質:SGCC, T=1.0mm
 - 2.帶*尺寸型號*為必檢測尺寸
 - 3.未標示之圓角均為:R2
 - 4.烤漆:外觀全烤漆,黑色鐵網紋 PMS BLACK C-13.
 - 5.表面不可有油漬殘留,不可有毛邊殘留,且不得刮手。

CLASS(mm)	TOLERANCE TABLE		
	A	B	C
0 < A < 3	0.05	0.1	0.4
3 < A < 6	0.08	0.15	0.6
6 < A < 30	0.12	0.25	1.0
30 < A < 60	0.25	0.4	1.5
60 < A < 300	0.5	0.5	3.0
300 < A	1.0	1.5	6.0
Angle	1°	4°	10°

GENERAL TOL: ±0.1 ±0.2 ±0.3 ±0.5 ±1.0	MATERIAL: SGCC SPEC.: 1.0 t FINISH: PMS BLACK C-13 UNIT: mm SCALE: 1:000	PART No. A0UP2P0000 DWG No. UPN-EDGE-PRO_BK_DIN_RAIL_A0 APPROVED: JASON CHECKED: VINCE DESIGNED: VINCE MODEL No. UPN-EDGE-PRO 20220728	 16C110002 / 1nc All Rights Reserved REV. 01 SHEET: 1 / 1
--	--	--	---