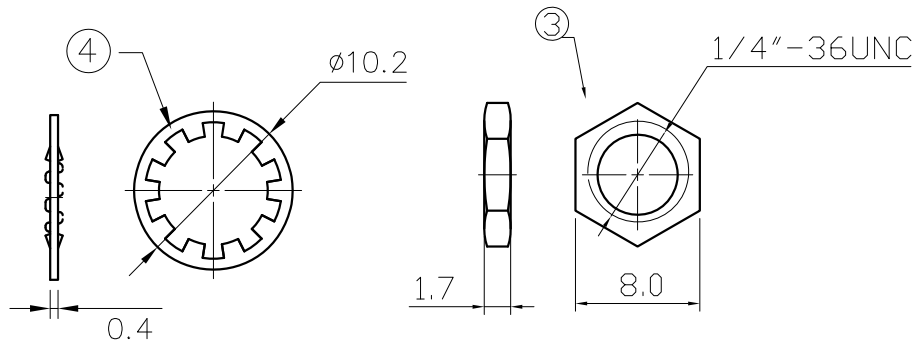
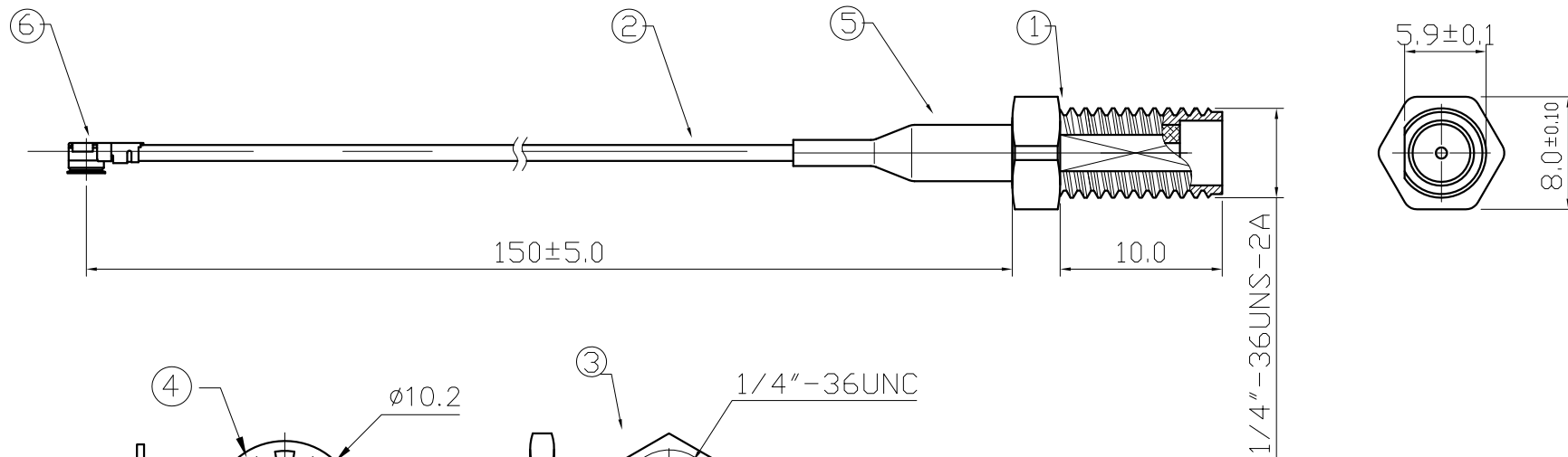


NO.	NAME	FINISH	MAT'L	Q'TY	MEMO
1.	CONNECTOR	GOLD PLATED	BRASS	1	SMA JACK
2.	Cable	GRAY	--	1	Ø1.13
3.	Nut	GOLD PLATED	BRASS	1	
4.	Washer	GOLD PLATED	BRASS	1	
5.	Heat-Shrinkable	BLACK	PE	1	
6.	CONNECTOR	GOLD PLATED	BRASS	1	IPEX



Note:

包裝時 (3) (4) 三件與線材分開包裝

PROJECTION		TOLERANCE UNLESS OTHERWISE SPECIFIED		亞驪企業股份有限公司 ARISTOTLE ENTERPRISES INC.			
		LINEAR	ANGLE	TITLE BTC013-70-150-1			
UNITS	MM	.0 ± 0.10	X° REF ± 0.5			SHEET	1/1
		.00 ± 0.05				DWG NO.	REV.
		.000 ± 0.01		BTC013-70-150-1	A		
3.		REV.	APPD.				
2.			CHKD				
1.		SIZE	SCALE	DESIGN			
REV	ECN	NAME	DATE	A4	DRAW Gino 2017/11/10		

3.				REV.			
2.							
1.				SIZE	SCALE	DESIGN	
REV	ECN	NAME	DATE	A4		DRAW	Gino 2017/11/10