

RFA-25-C2M2-U-M70

Specifications

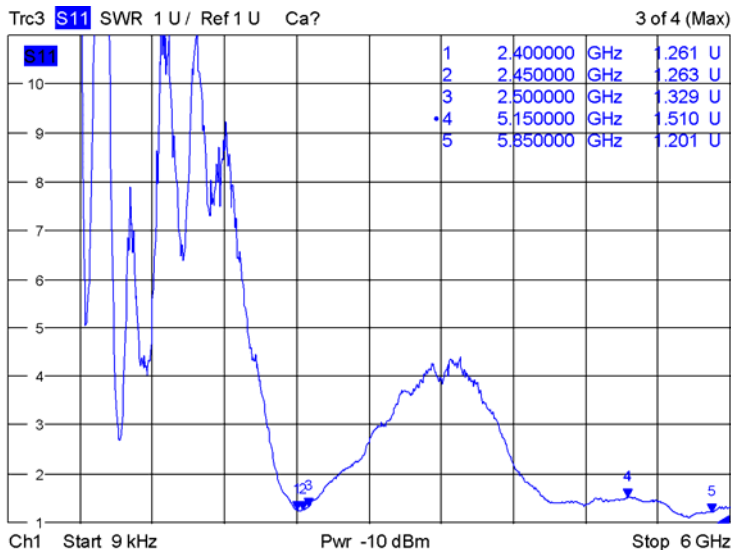
Frequency range	2400 MHz – 2500 MHz	5150 MHz -5875 MHz
Gain	2 dBi	2 dBi
VSWR	2.0 : 1 Max.	2.0 : 1 Max.
Polarization	Linear, vertical	Linear, vertical
Power handling	2 W (cw)	2 W (cw)
Impedance	50 Ω	50 Ω
Connector	RP SMA PLUG	



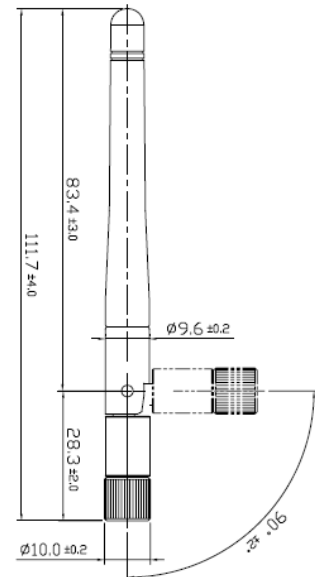
Environmental & Mechanical Characteristics

Temperature	-10°C to +55°C
Humidity	95% @ 25°C
Radome color	Black

VSWR

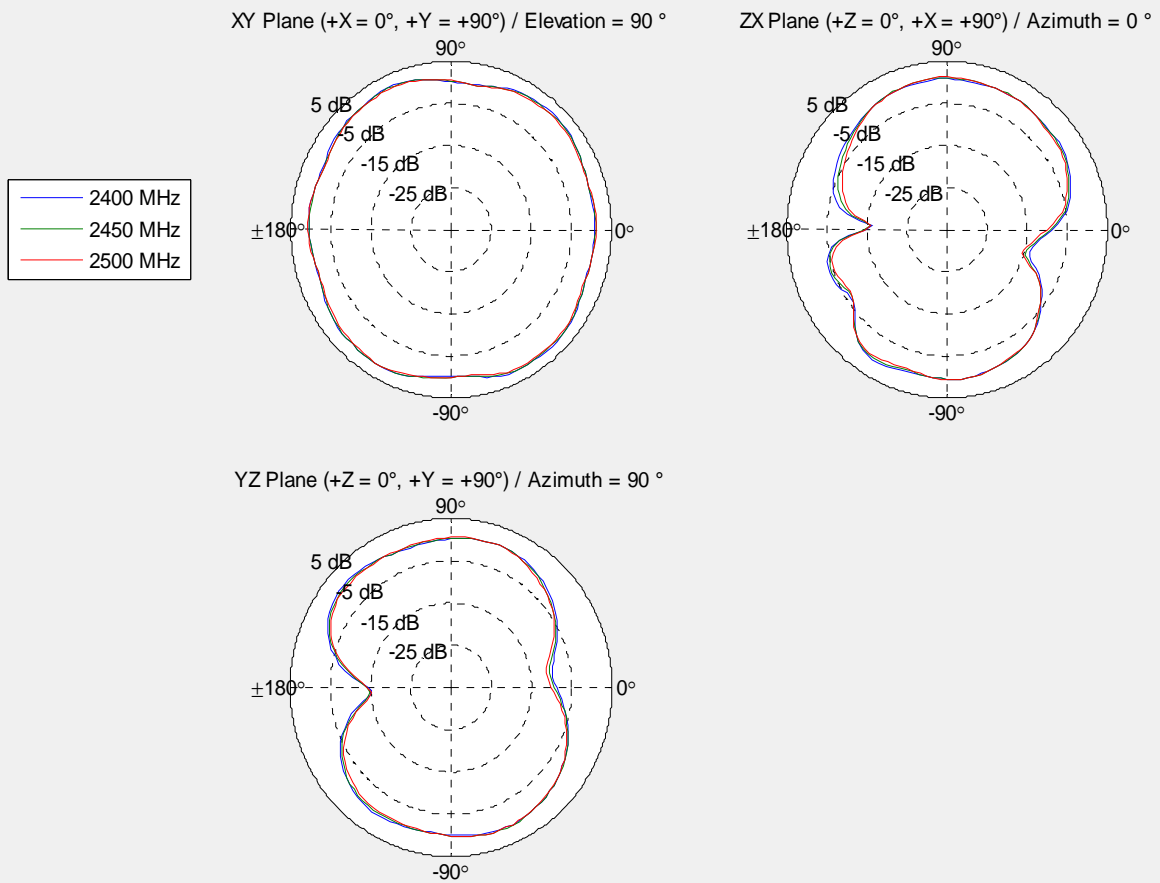


Date: 12.JUN.2015 18:43:37

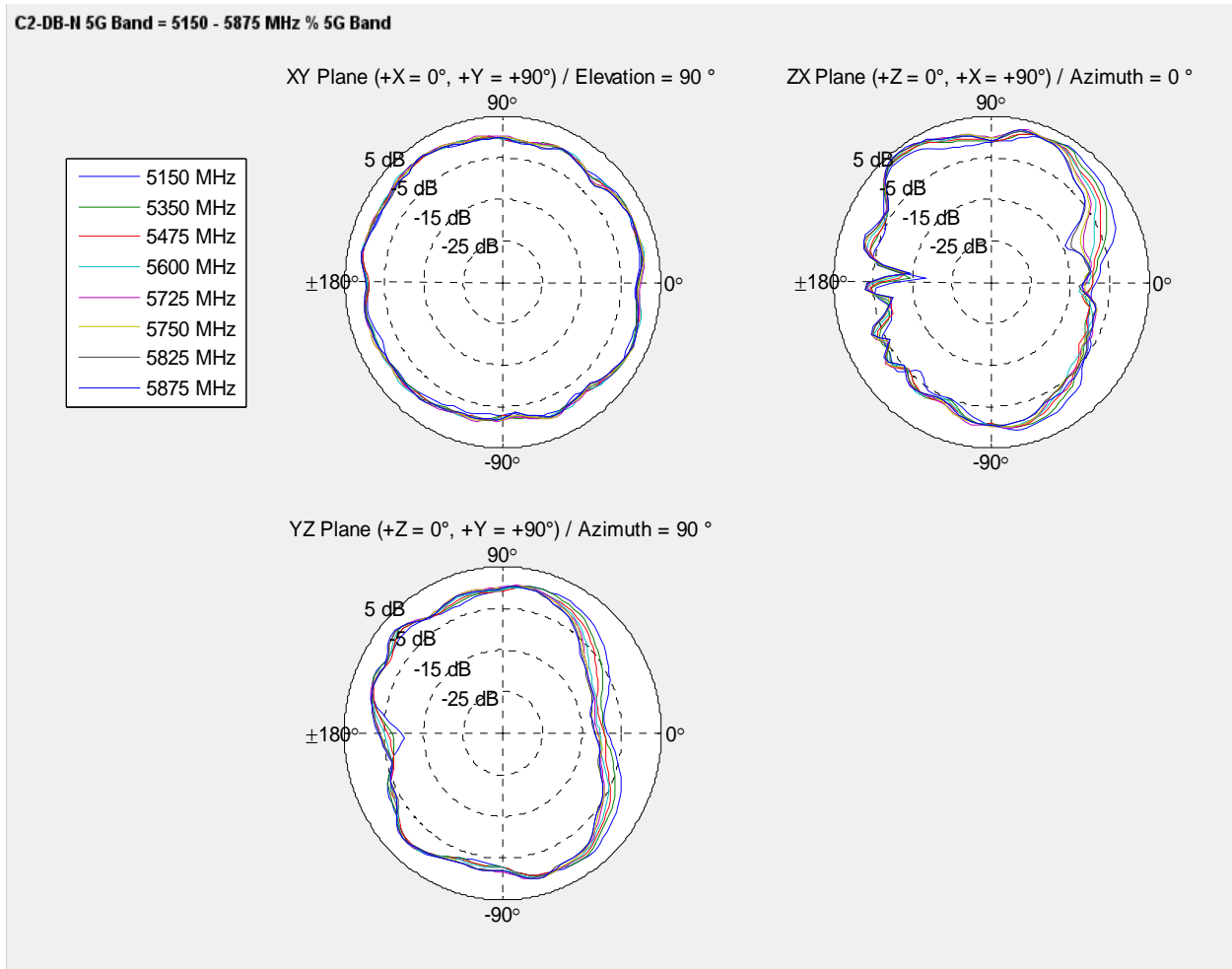


Radiation Pattern

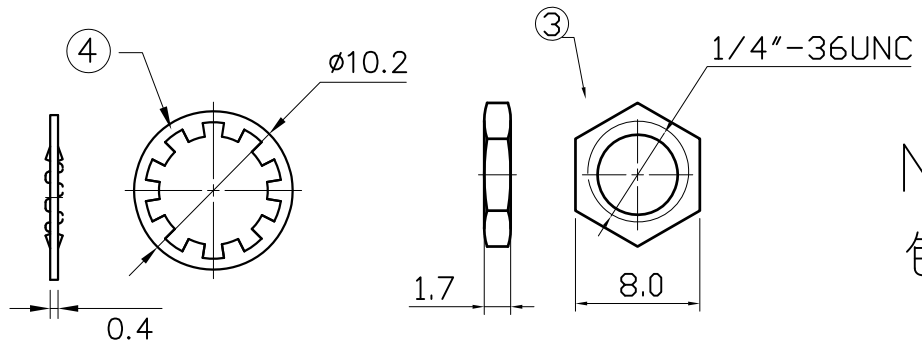
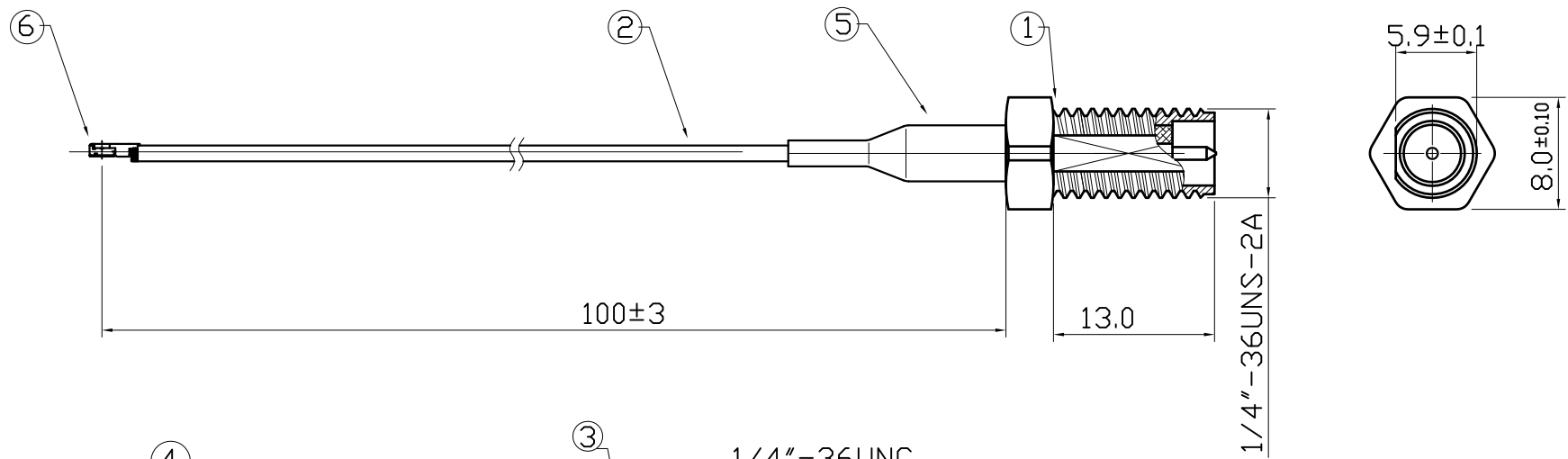
C2-DB-N 2G Band = 2400 - 2500 MHz % 2G Band



Radiation Pattern



NO.	NAME	FINISH	MAT'L	Q'TY	MEMO
1.	Connector	GOLD PLATED	BRASS	1	RP SMA JACK
2.	Cable	BLACK	--	1	ø1.13
3.	Nut	GOLD PLATED	BRASS	1	
4.	Washer	GOLD PLATED	BRASS	1	
5.	Heat-Shrinkable	BLACK	PE	1	
6.	IPEX	GOLD PLATED	BRASS	1	第四代



Note:
包裝時 ③ ④ 兩件與線材分開包裝

	TOLERANCE UNLESS OTHERWISE SPECIFIED		亞驪企業股份有限公司 ARISTOTLE ENTERPRISES INC.	
	LINEAR	ANGLE	TITLE BTC013-MHF4-70B100-3	
	.0 ± 0.10	X° REF ± 0.5		
UNITS MM	.00 ± 0.05	.000 ± 0.01	SHEET 1/1	
REV.	APPD.	CHKD.	DWG NO.	
SIZE A4	SCALE 2/1	DESIGN Gino	REV. A	
ECN	NAME	DATE	BTC013-MHF4-70B100-3	
			2018/08/08	

3.				REV.			
2.				APPD.			
1.				CHKD.			
REV	ECN	NAME	DATE	SIZE	SCALE	DESIGN	
				A4	2/1	DRAW	