



## APPROVAL SHEET

承认书

NS P/N : EP-CHUPSMTDINLP

---

MODEL NO. : UP-L PLATE (荷兰 AN)

---

VERSION : 01

---

DATE : NOV. 30, 2017

---

PREPARED BY : LI XIN

---

CHECKED BY : SHEN LIHE

---

APPROVAL : YAO JIARUI

---

**BEIJING DEEPCOOL INDUSTRIES CO.,LTD**

Building 10, No.9 Dijin Road, Zhongguancun Environmental Protection Park, Haidian Dist.  
Beijing 100095, China

TEL: +86-10-5640 1752

FAX: +86-10-5640 1925

<http://www.deepcool.com>



北京市鑫全盛科技有限公司

BELJING DEEPCOOL INDUSTRIES CO.,LTD

MODIFICATION	VER	DATE



## CONTENTS

1. COMPONENTS LIST , DESCRIPTION & PHOTO OF PRODUCT.....	3
1.1 COMPONENTS LIST .....	3
1.2 DESCRIPTION & PHOTO OF PRODUCT .....	4
2. CHARACTERISTICS .....	4
2.1 MECHANICAL CHARACTERISTICS.....	4
3. DRAWINGS: .....	5
3.1 AL PLATE.....	5
3.2 SCREW.....	6



1. COMPONENTS LIST, DESCRIPTION & PHOTO OF PRODUCT

1.1 COMPONENTS LIST

NO.	PART	SPEC/mm	QTY.	PAGE
1	AL PLATE	151X104X21	1	5
2	SCREW	MM3X6PM	3	6
3	SCREW	M2.5X8KM	4	7



1. DESCRIPTION & PHOTO OF PRODUCT



View

This thermal solution intends to be used for:  
Industrial Control

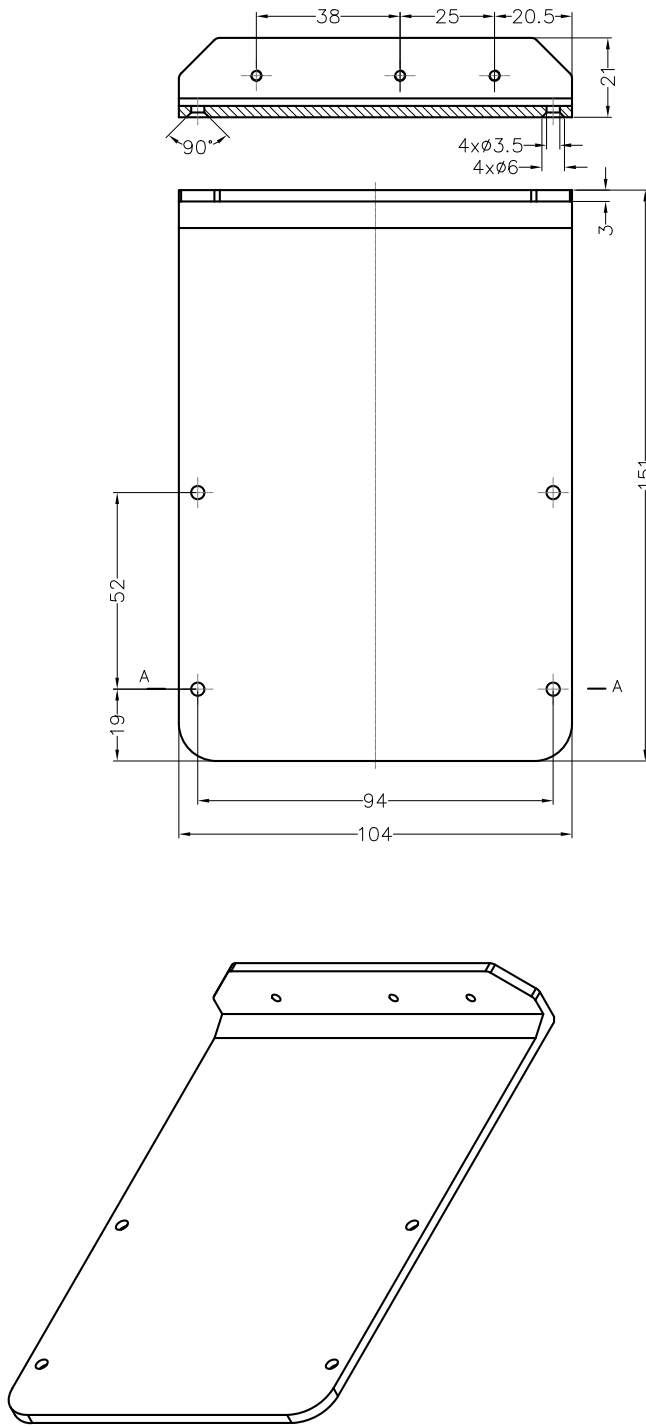
2. CHARACTERISTICS

2.1 MECHANICAL CHARACTERISTICS

AL PLATE Dimension	151X104X21
--------------------	------------



3.1 AL PLATE

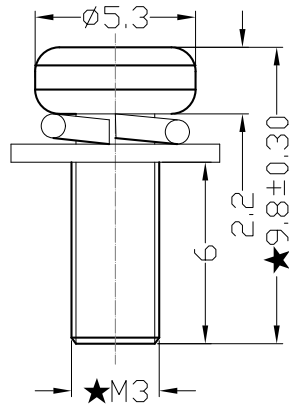
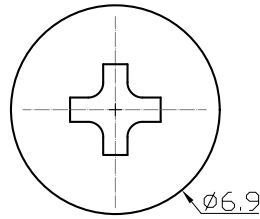


Tolerance as below, unless otherwise specified						
DIMENSION	0.5~3	>3~6	>6~30	>30~120	>120~400	>400~1000
TOLERANCE	$\pm 0.1$	$\pm 0.1$	$\pm 0.2$	$\pm 0.3$	$\pm 0.5$	$\pm 0.8$
DESIGN				MATERIAL	AL 1100	SCALE 1:2
PREPARED				MATERIAL CODE	1.01.050.2660	PAGE 1/1
CHECKED				P/N	AL PLATE UP2-L	
APPROVAL				DWG. NO.	1.01.050.2660	
MODIFICATION	VER	NAME	DATE	BEIJING DEEPCOOL INDUSTRIES CO., LTD		

GP



3.2 SCREW

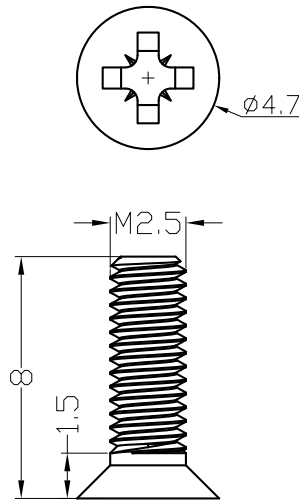


Tolerance as below, unless otherwise specified		0.5~3		>3~6	>6~30	>30~120	>120~400	>400~1000
DIMENSION	TOLERANCE	±0.1	±0.1	±0.2	±0.3	±0.5	±0.8	±0.8
	DESIGN				MATERIAL	SAE 1018	SCALE	4:1
	PREPARED	LI XIN 2017/11/30	MATERIAL CODE				PAGE	1/1
	CHECKED		P/N	SCREW	M3X6PM			
	APPROVAL		DWG. NO.					
MODIFICATION	VER	NAME	DATE	BEIJING DEEPCOOL INDUSTRIES CO., LTD				

GP



3.2 SCREW



		Tolerance as below, unless otherwise specified										
DIMENSION	0.5~3	>3~6	>6~30	>30~120	>120~400	>400~1000						
TOLERANCE	±0.1	±0.1	±0.2	±0.3	±0.5	±0.8	DESIGN	MATERIAL	SAE	1018	SCALE	4:1
							PREPARED	LI XIN	2017/11/30	MATERIAL CODE	PAGE	1/1
							CHECKED			P/N	SCREW	M2.5X8KM
							APPROVAL			DWG. NO.		
MODIFICATION	VER	NAME	DATE	BEIJING DEEPCOOL INDUSTRIES CO., LTD								

GP