

亞 驪 企 業 股 份 有 限 公 司
ARISTOTLE ENTERPRISES
承 認 申 請 書

ROHS COMPLIANCE

客戶名稱: 研揚科技股份有限公司
Customer
廠商料號: RFA-LTE-C55-U-B70-5
Part No.
品名: LTE Full Band , Black Antenna
Description
圖號: RFA-LTE-C55-U-B70-5.DWG
Drawing No.
客戶料號:
Drawing No.

出廠簽章:

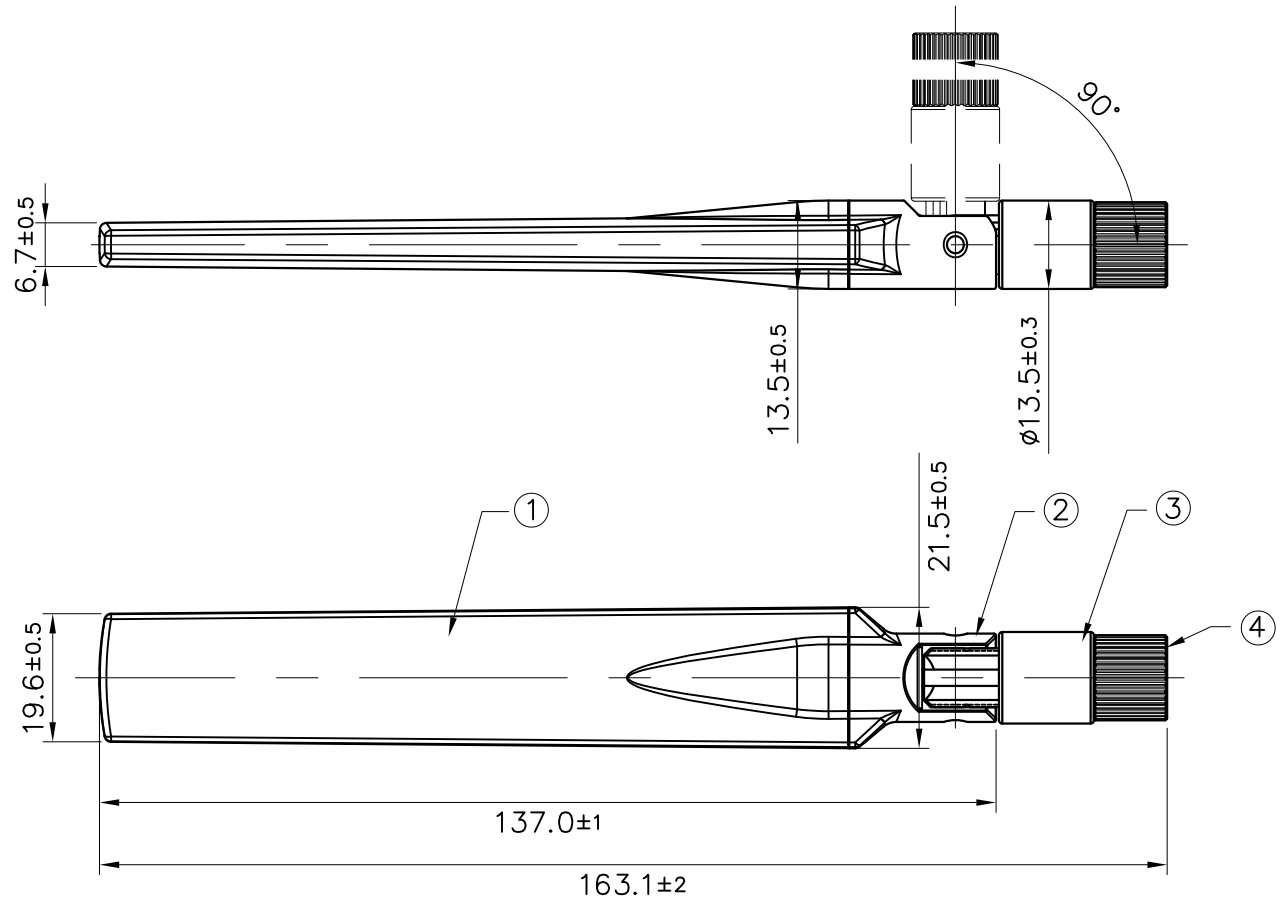
檢 查 TEST BY	核 對 CHECK BY	承 認 APPROVE BY
周沂珮	黃秋芳	廖煥文

承認簽章:

檢 查 TEST BY	核 對 CHECK BY	承 認 APPROVE BY

地址:新北市中和區莒光路 63 號 8 樓
電話:02-2225-8209
傳真:02-2225-7523

NO.	NAME	FINSH	MAT'L	Q'TY	MEMO
1.	TUBE	BLACK	ABS	1	
2.	BASE	BLACK	ABS	1	
3.	HINGE	BLACK	ABS	1	
4.	CONNECTOR	BLACK	BRASS	1	SMA PLUG



PROJECTION	TOLERANCE UNLESS OTHERWISE SPECIFIED	
	LINER	ANGLE
UNITS	.X ± 0.10	X' $\pm 0.5^\circ$
MM	.XX ± 0.05	
	.XXX ± 0.01	

亞驪企業股份有限公司
ARISTOTLE ENTERPRISES INC.

TITLE
RFA-LTE-C55-U-B70-5

DWG NO.
RFA-LTE-C55-U-B70-5

3.				REV.	A	APPD.		
2.				SHEET	1/1	CHKD.		
1.				SIZE	A4	DESIGN		
REV.	ECN.	NAME	DATE	SCALE	--	DRAW	Gino	2016/12/1

RFA-LTE-C55-U-B70-5

Specifications

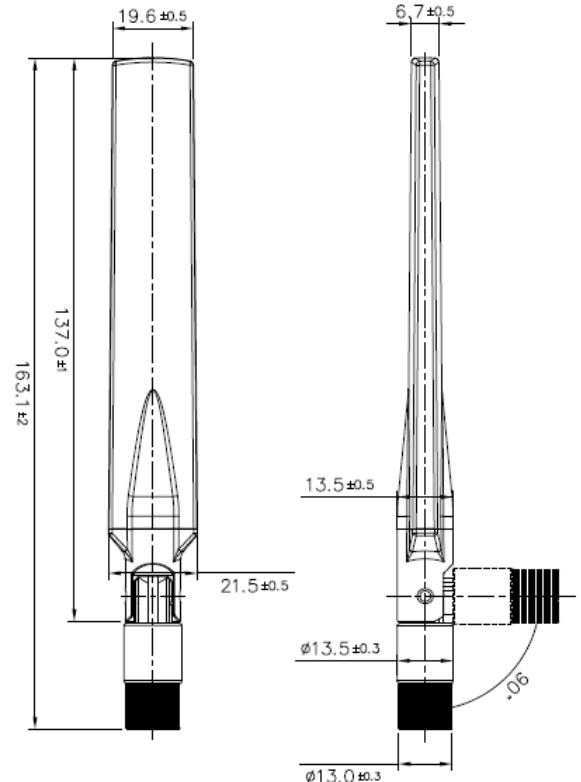
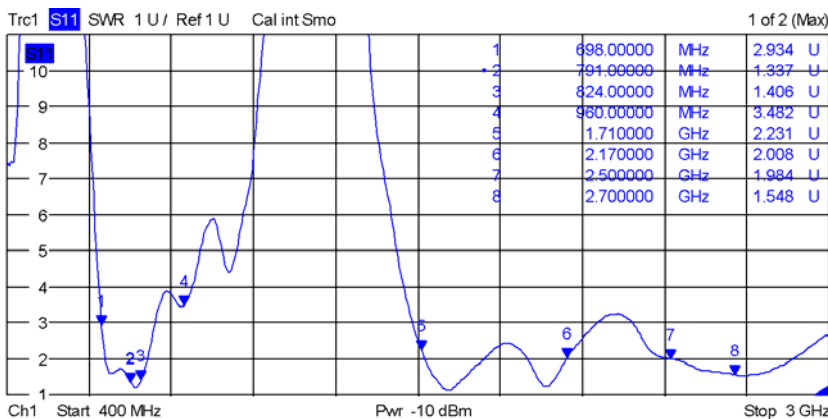
Frequency (MHz)	698 – 791	824-960	1710-1880	1910-2170	2300-2400	2500-2700
Peak gain (dBi)	2	2	3	1.5	1.4	1.5
Average gain (dBi)	-1	-0.7	0.9	0	-1.9	-2.8
VSWR	3.5 : 1 Max.	4.0 : 1 Max	3.0 : 1 Max	3.0 : 1 Max	3.0 : 1 Max	2.5 : 1 Max.
Polarization	Linear, vertical					
Impedance	50 Ω					
Connector	SMA PLUG					

Environment & Mechanical Characteristics

Temperature	- 10°C to +55°C
Humidity	95% @ 25°C

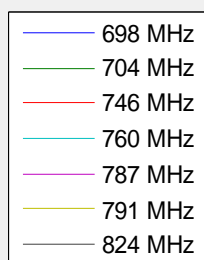


VSWR

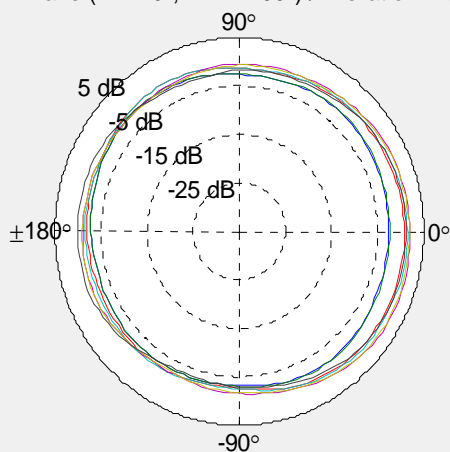


Radiation Pattern

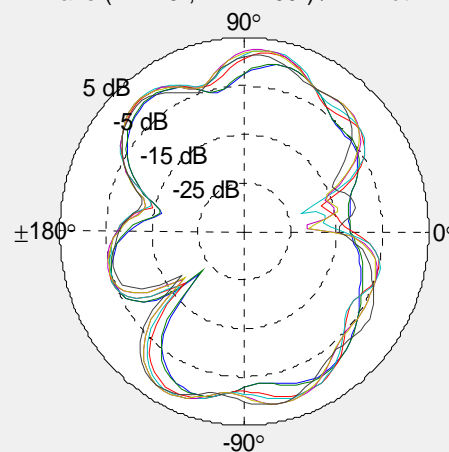
L1 Band = 698 - 830 MHz % LTE-L Band



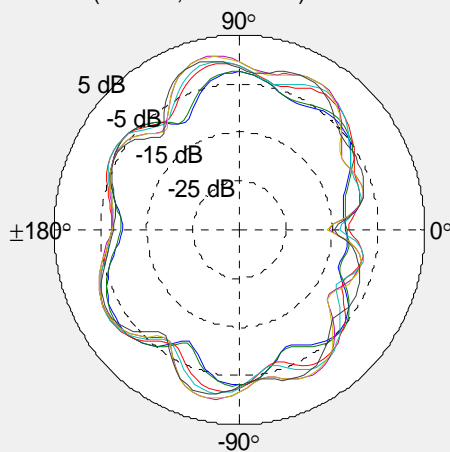
XY Plane (+X = 0°, +Y = +90°) / Elevation = 90 °



ZX Plane (+Z = 0°, +X = +90°) / Azimuth = 0 °



YZ Plane (+Z = 0°, +Y = +90°) / Azimuth = 90 °

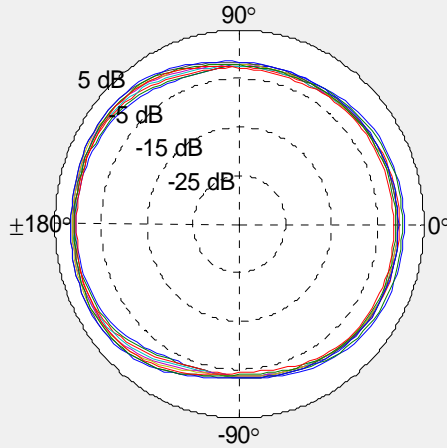


Radiation Pattern

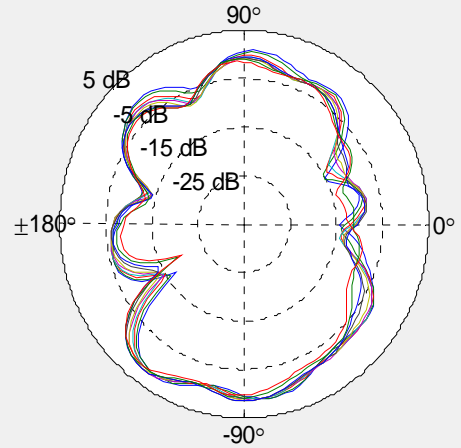
L2 Band = 831 - 960 MHz % LTE-L Band

- 836 MHz
- 849 MHz
- 869 MHz
- 880 MHz
- 894 MHz
- 900 MHz
- 915 MHz
- 925 MHz
- 940 MHz
- 960 MHz

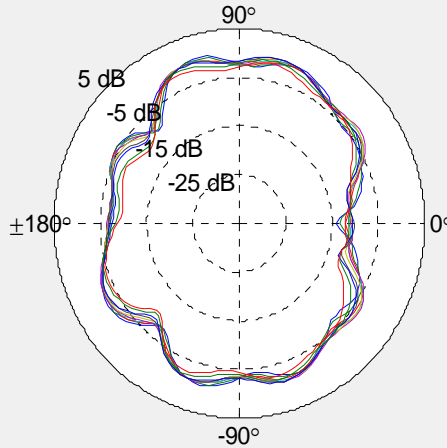
XY Plane (+X = 0°, +Y = +90°) / Elevation = 90 °



ZX Plane (+Z = 0°, +X = +90°) / Azimuth = 0 °

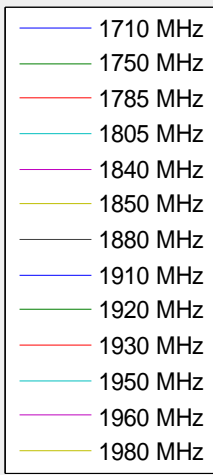


YZ Plane (+Z = 0°, +Y = +90°) / Azimuth = 90 °

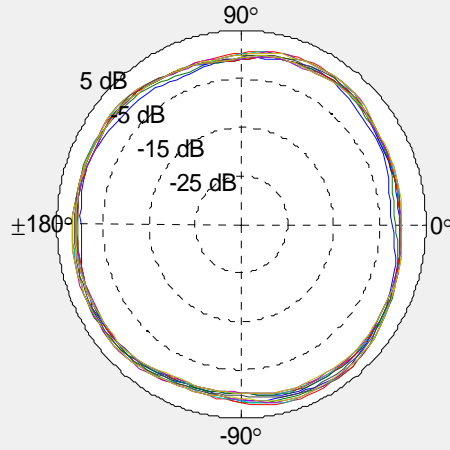


Radiation Pattern

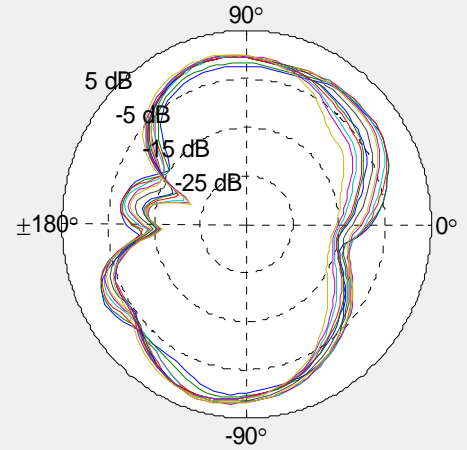
H1 Band = 1710 - 1980 MHz % LTE-H1 Band



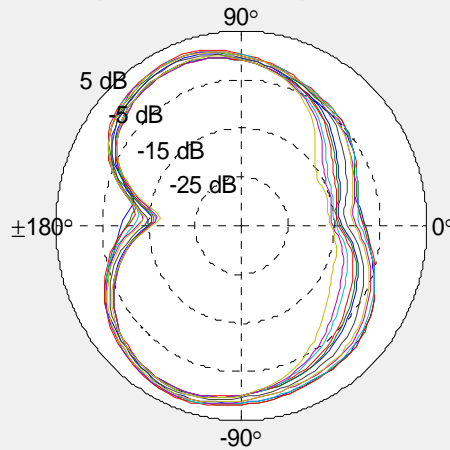
XY Plane (+X = 0°, +Y = +90°) / Elevation = 90 °



ZX Plane (+Z = 0°, +X = +90°) / Azimuth = 0 °



YZ Plane (+Z = 0°, +Y = +90°) / Azimuth = 90 °

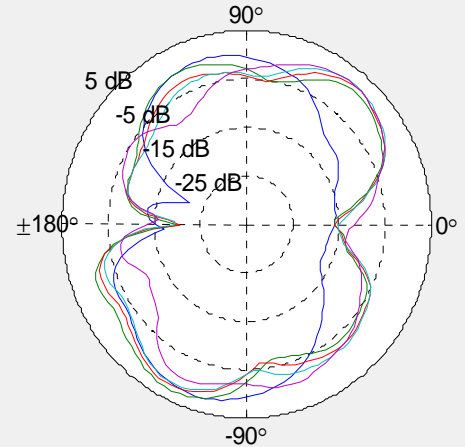
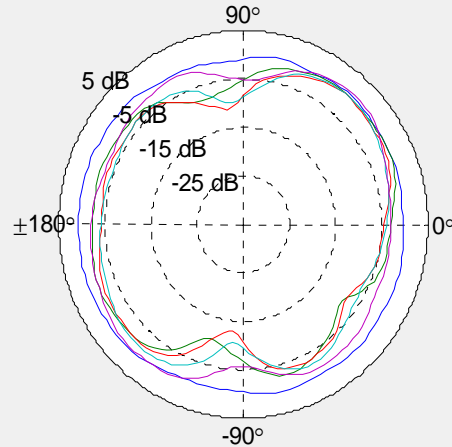
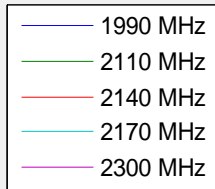


Radiation Pattern

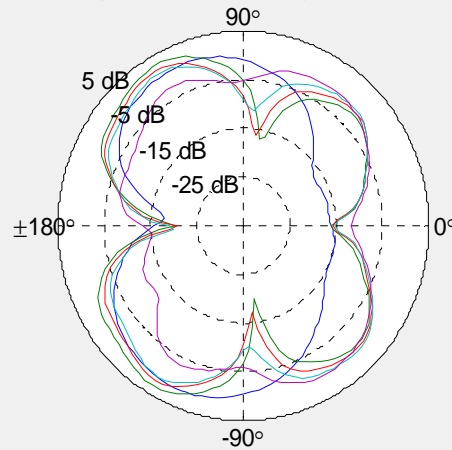
H2 Band = 1990 - 2300 MHz % LTE-H2 Band

XY Plane (+X = 0°, +Y = +90°) / Elevation = 90 °

ZX Plane (+Z = 0°, +X = +90°) / Azimuth = 0 °



YZ Plane (+Z = 0°, +Y = +90°) / Azimuth = 90 °



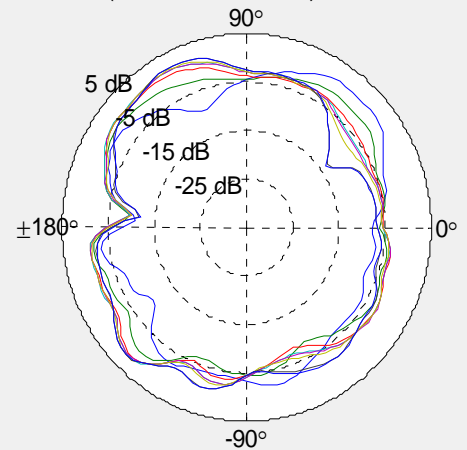
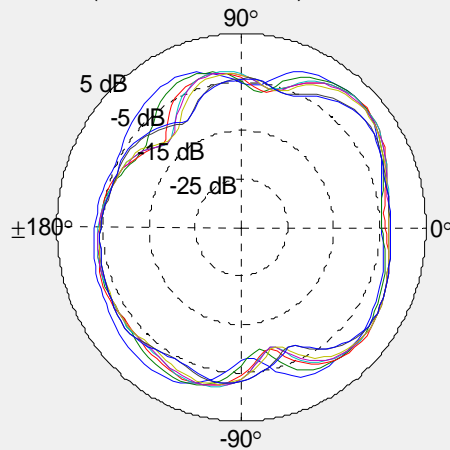
Radiation Pattern

H3 Band = 2301 - 2700 MHz % LTE-H2 Band

XY Plane (+X = 0°, +Y = +90°) / Elevation = 90 °

ZX Plane (+Z = 0°, +X = +90°) / Azimuth = 0 °

- 2400 MHz
- 2500 MHz
- 2570 MHz
- 2595 MHz
- 2600 MHz
- 2620 MHz
- 2690 MHz
- 2700 MHz



YZ Plane (+Z = 0°, +Y = +90°) / Azimuth = 90 °

