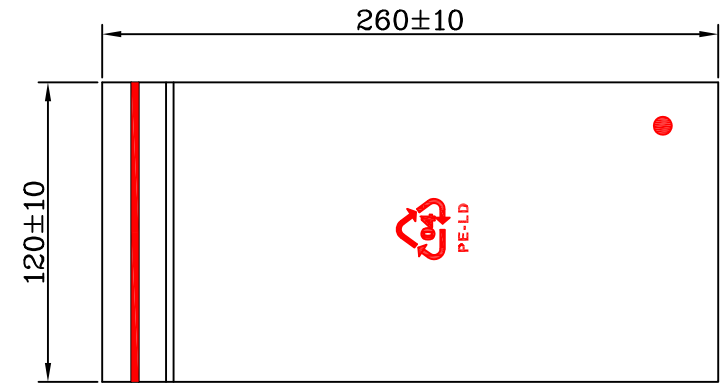
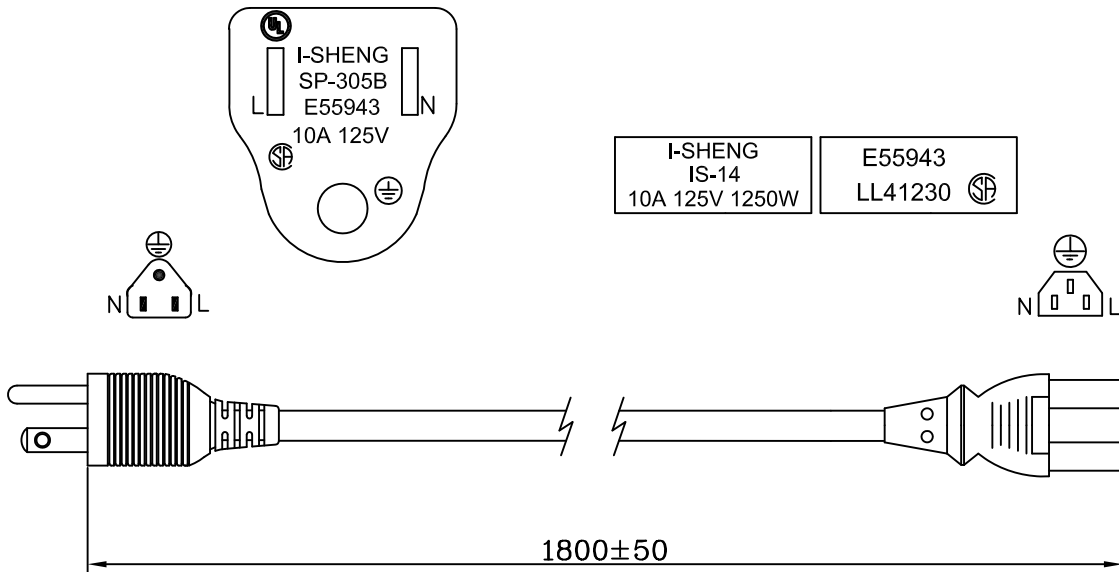
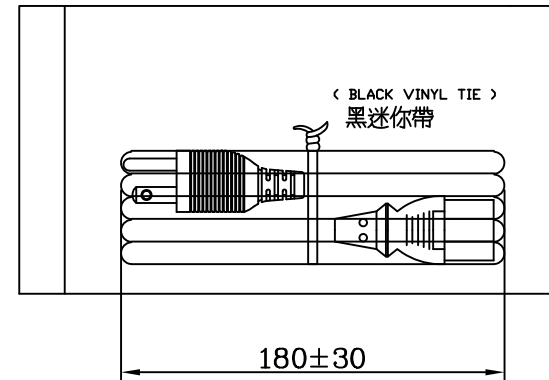


DESCRIPTION CONTROL			
REV	DATE	ECN ON	Customers sign



環保袋 (PE BAG)



線材印字:

(UL) E88265 SVT 60°C 3X18AWG(0.824mm²) 300V VW-1 I-SHENG
 CSA LL81924 TYPE SVT 60°C 3X0.824mm²(18AWG) 300V VW-1

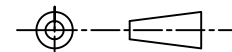
WIRING COLOR:

E: Green
 N: White
 L: Black

線白黑

9	袋子	紅一點環保袋 26CM	1	PCS
8	PVC	PVC 50P (IS-014) CT-12	20	g
7	內模套	IS-14 內模套	1	PCS
6	銅片	KPR-14 銅片	3	PCS
5	PVC	PVC 30P (SP-305B) CT-12	23	g
4	外殼	SP-305 外殼	1	PCS
3	內殼	SP-305 內殼	1	PCS
2	銅片	絕緣銅片	2	PCS
1	銅管	□ 4.75 銅管	1	PCS
NO	TYPE	DESCRIPTION	QTY	UNIT

ROHS



DRAWN, BY: Barbara

CHECK, BY:

APP, BY: S00001T

CUSTOMER:

ALL DIMENSIONS IN mm



愷傑科技有限公司

TEL:02-8282-5092 FAX:02-8282-5193

ITEM: SP-305B+IS-14 美規 二扁一圓 /品字 1.8M 黑色 SVT 18/3 60°C 凹字 CT-12(BLACK)

PART NO : CPOW209582018000

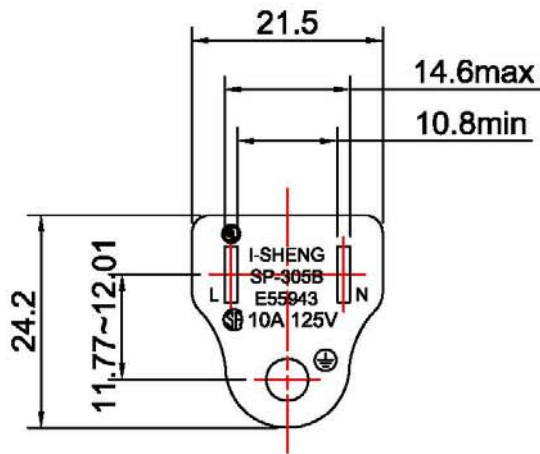
DRAWING NO :

CUSTOMER P/N:

DATE:2015/04/10

PAGE:1/1

REV A



TAIWAN MARKING:

Ⓢ I-SHENG
SP-305B
E55943
Ⓢ 10A 125V

KUNSHAN MARKING:

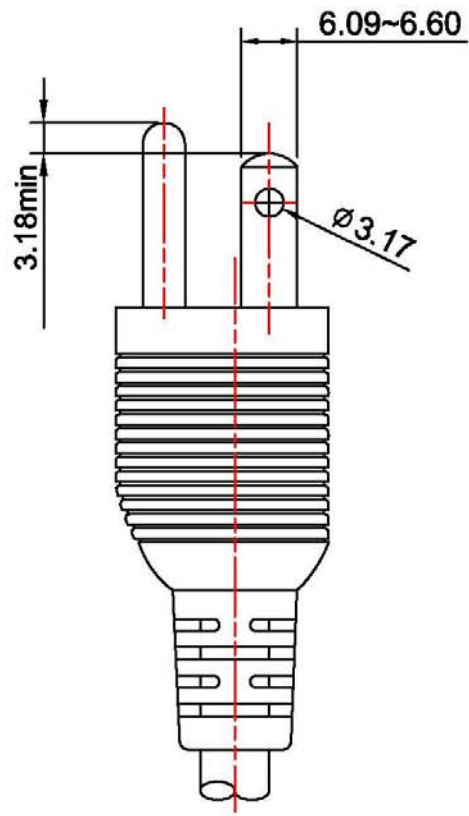
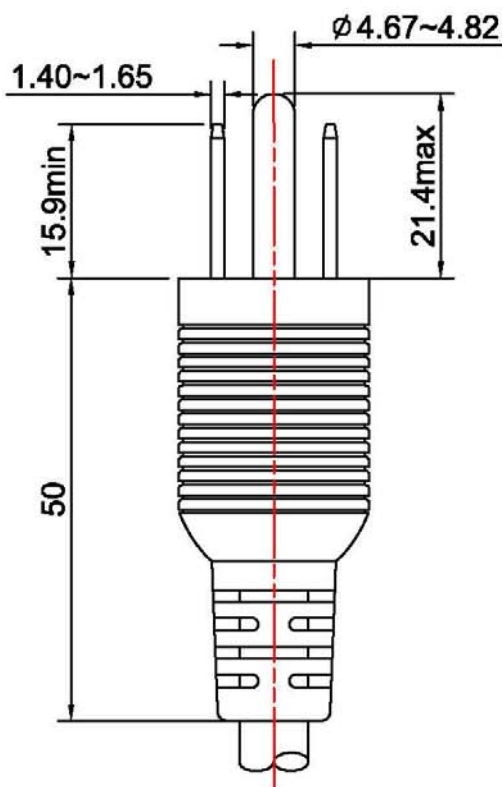
Ⓢ I-SHENG
SP-305B
E55943
Ⓢ 10A 125V Ⓚ

SHENZHEN MARKING:

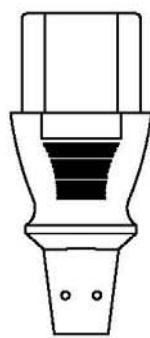
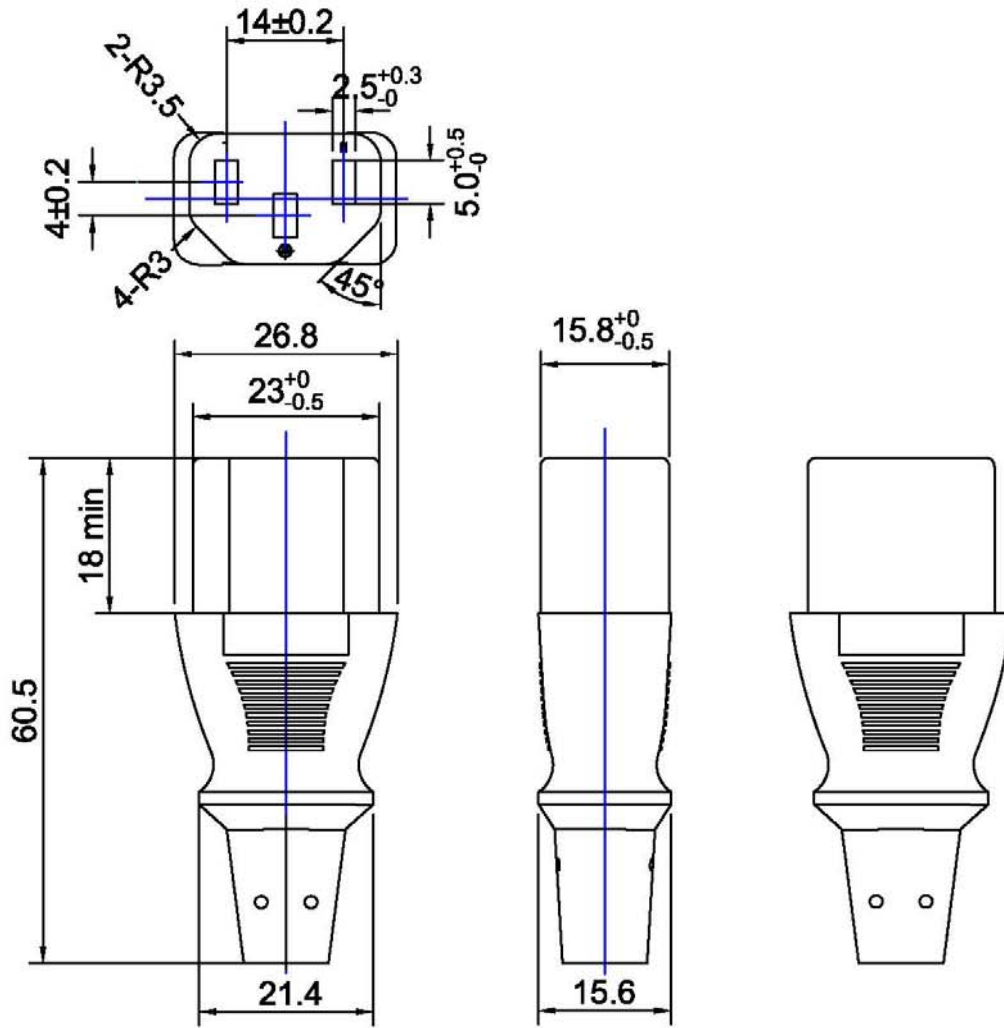
Ⓢ I-SHENG
SP-305B
E55943
Ⓢ 10A 125V Ⓢ

VIETNAM MARKING:

Ⓢ I-SHENG
SP-305B
E55943
Ⓢ 10A 125V Ⓢ



DWG. NAME	TYPE AND DIMENSIONS			TOLERANCE	
APPLY TO STANDARD	AMERICAN APPROVAL POWER SUPPLY CORD				
ISSUE DATE	2009/10/15	REV.	B	≤ 1.0	±0.3
REVISE DATE	2014/4/30	UNIT	mm	≤ 10.0	±0.5
TYPE	SP-305B	DWG. NO.	V5B-3	≤ 20.0	±1.0
WIRE	SVT,SJT 18AWGX3C			> 20.0	±2.0
	DESIGN BY	VIVIAN HUNG			
	REVIEW BY	FANNY WANG			
	APPROVE BY	RYAN LAI			



TAIWAN MARKING

I-SHENG
IS-14
10A 125V 1250W

SHENZHEN MARKING

I-SHENG
IS-14
10A 125V 1250W

KUNSHAN MARKING

I-SHENG
IS-14
10A 125V 1250W

VIETNAM MARKING

I-SHENG
IS-14
10A 125V 1250W



TAIWAN MARKING

E55943
LL41230

SHENZHEN MARKING

© E55943
LL41230

KUNSHAN MARKING

Ⓢ E55943
LL41230

VIETNAM MARKING

Ⓢ E55943
LL41230

DWG. NAME	TYPE AND DIMENSIONS				
APPLY TO STANDARD	AMERICAN APPROVAL POWER SUPPLY CORD			TOLERANCE	
ISSUE DATE	2009/06/04	REV.	A		
REVISE DATE		UNIT	mm	≤ 1.0	±0.3
TYPE	IS-14	DWG. NO.	L14-03-1	≤ 10.0	±0.5
WIRE	SVT,SJT 18AWG/3C			≤ 20.0	±1.0
	DESIGN BY	FANNY WANG		≤ 20.0	±1.0
	REVIEW BY	VIVIAN HUNG			
	APPROVE BY	RYAN LAI			

SPECIFICATION

Rev. 1.0

Issued	2015/3/19	Description	File No.	V5BVS3316
Revised		SP-305B+IS-14 SVT 18/3C 60°C	Page	1/1

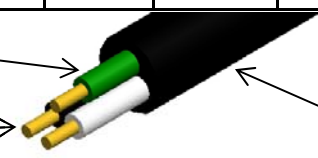
1. Scope :

This specification is applied to power supply cord conforming to:
UL 62 UL 817 CSA C22.2

2. Construction and dimensions:

In accordance with the following tables and attached drawings.

Item	Cat. No.	Rating		Approved No.	
		A	V	UL	CSA
Plug	SP-305B	10	125	E55943	LR 35162
Connector	IS-14	10	125	E55943	LL 41230

Flexible cord					SVT 18/3C			
Approved No.					E88265 、 E314513 、 E315167 、 LL81924			
Rating					300V 60°C			
Conductor		Insulation			Jacket			Conductor Resistance
Nominal (mm ²) (AWG)	Composition (pcs/mm)	Avg. Thickness (mm)	Min Thickness (mm)	Diameter (mm)	Avg. Thickness (mm)	Min Thickness (mm)	Diameter	Max 22.4 Ω/km at 20°C In case of dispute, Conductor resistance shall be the referee method.
18AWG	40/ ϕ 0.162 +0.003/-0.008	0.38	0.33	ϕ 2.1±0.1	0.76	0.61	ϕ 6.3±0.2	
								Insulation Color
								Black
								White
								Green

3. Cable marking on the sheath:

Taiwan: (UL) E88265 SVT 60°C 3X18AWG(0.824mm ²) 300V VW-1 I-SHENG CSA LL81924 TYPE SVT 60°C 3X0.824mm ² (18AWG) 300V VW-1
Shenzhen: (UL) E88265-C SVT 60°C 3X18AWG(0.824mm ²) 300V VW-1 I-SHENG CSA LL81924 TYPE SVT 60°C 3X0.824mm ² (18AWG) 300V VW-1
(UL) E315167 SVT 60°C 3X18AWG(0.824mm ²) 300V VW-1 I-SHENG CSA LL81924 TYPE SVT 60°C 3X0.824mm ² (18AWG) 300V VW-1
Kunshan: (UL) E88265-K SVT 60°C 3X18AWG(0.824mm ²) 300V VW-1 I-SHENG CSA LL81924 TYPE SVT 60°C 3X0.824mm ² (18AWG) 300V VW-1
(UL) E314513 SVT 60°C 3X18AWG(0.824mm ²) 300V VW-1 I-SHENG CSA LL81924 TYPE SVT 60°C 3X0.824mm ² (18AWG) 300V VW-1

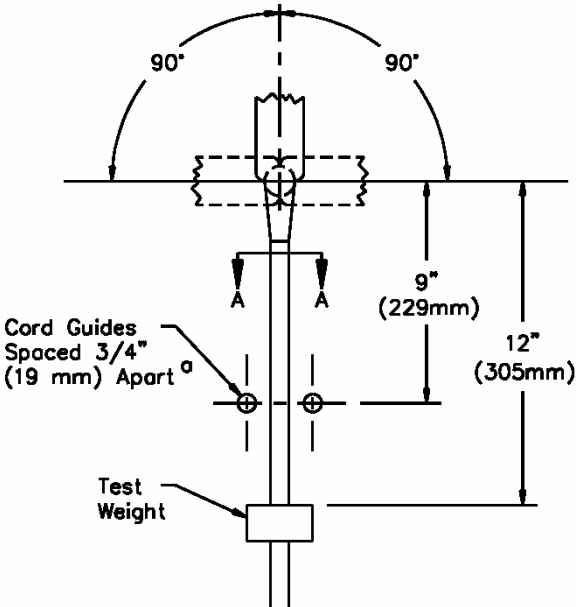
I-SHENG ELECTRIC WIRE & CABLE CO., LTD.

發行 ISSUED 2000.03.05	標準名稱 STD.NAME	SPECIFICATION	檔案編號 FILE NO
修訂 REVISED 2010.05.04	題目 TITLE	THE CHARACTERISTIC OF POWER SUPPLY CORD FOR UL & CSA	SPEC-AC

	Items 項目	Conditions 條件	Specification 規格
1	Insulation resistance 絕緣抵抗	The measurement shall be made after an open-circuit output of 500 V for 1 minute at an ambient temperature of 20°C.	The insulation resistance shall not be less than 100 MΩ.
		a) Live parts of opposite polarity,	
		b) Live parts and dead metal parts that are exposed to contact by persons or that may be grounded in service.	
		c) Live parts and any surface of insulating material that is exposed to contact by persons or that may be in contact with ground in service.	
2	Electric strength 耐電壓	Each cord set or power-supply cord shall be capable of withstanding without breakdown for a period of 1 minute The application of a 60-Hz potential of 2000 V between any two conductors. Testing transformer capacity (耐壓計容量) :500 VA or more Leakage current (遮斷電流) :2mA frequency (周波數) :50/60 Hz	There was no dielectric breakdown.
		Between two Conductors 2000V/1min.	
		Between conductors And outside body. 2000V/1min.	
3	Temperature rise 溫昇	A rated current is passed through the circuit. The devices under test were caused to carry the test current continuously for a period of four hours.	The temperature rise shall not exceed 30 degrees above the ambient temperature.

I-SHENG ELECTRIC WIRE & CABLE CO., LTD.

發行 2000.03.05	ISSUED	標準名稱 STD.NAME	SPECIFICATION	檔案編號 FILE NO
修訂 2010.05.04	REVISED	題目 TITLE	THE CHARACTERISTIC OF POWER SUPPLY CORD FOR UL & CSA	SPEC-AC

Items 項目	Conditions 條件	Specification 規格															
4 Flexing test 屈曲強度	<p>Samples should be molded to a 20 inch length of flexible cord.</p> <p>The test weights attached to each cord approximately 12 inches from the point of rotation is subjected to 113g for SPT types and 284g for HPN type.</p> <p>A minimum of 2,500 flexing cycles consist of: rotation of the jaws from the vertical position until 90 degrees to one side, back past the vertical position until 90 degrees to the other side, and back to the vertical position. The rate of testing shall be 10 cycles per minute.</p>	After the test the sample shall show no damage except that breakage.															
	<table border="1" style="width: 100%; border-collapse: collapse;"> <thead> <tr> <th style="width: 15%;"></th> <th style="width: 15%;">Load Weight (g)</th> <th style="width: 10%;">Angle $\theta(^{\circ})$</th> <th style="width: 20%;">Furthermore 90° rotational direction (turns)</th> <th style="width: 10%;">Rate of flexing per min (turns)</th> </tr> </thead> <tbody> <tr> <td style="text-align: center;">plug</td> <td>SPT TYPES 113 HPN TYPES 284</td> <td style="text-align: center;">90</td> <td style="text-align: center;">2500</td> <td style="text-align: center;">10</td> </tr> <tr> <td style="text-align: center;">connector</td> <td>SPT TYPES 113 HPN TYPES 284</td> <td style="text-align: center;">90</td> <td style="text-align: center;">2500</td> <td style="text-align: center;">10</td> </tr> </tbody> </table>			Load Weight (g)	Angle $\theta(^{\circ})$	Furthermore 90° rotational direction (turns)	Rate of flexing per min (turns)	plug	SPT TYPES 113 HPN TYPES 284	90	2500	10	connector	SPT TYPES 113 HPN TYPES 284	90	2500	10
			Load Weight (g)	Angle $\theta(^{\circ})$	Furthermore 90° rotational direction (turns)	Rate of flexing per min (turns)											
	plug		SPT TYPES 113 HPN TYPES 284	90	2500	10											
connector	SPT TYPES 113 HPN TYPES 284	90	2500	10													
<p>Flexing test apparatus FLEXING CYCLE</p> 																	


I-SHENG ELECTRIC WIRE & CABLE CO., LTD.

發行 2000.03.05	ISSUED	標準名稱 STD.NAME	SPECIFICATION	檔案編號 FILE NO
修訂 2010.05.04	REVISED	題目 TITLE	THE CHARACTERISTIC OF POWER SUPPLY CORD FOR UL & CSA	SPEC-AC

Items 項目	Conditions 條件	Specification 規格																	
5	<p>Withdrawal force 引拔力</p> <p>Verification of the maximum withdrawal force The connector is inserted to the full depth into and withdrawn from the appropriate appliance inlet 10 times. It is then again inserted for a principal mass is such that it exerts a force equal to one-tenth of the maximum withdrawal force specified in the table and it shall be made in one piece and a supplementary.</p> <p>Verification of the minimum withdrawal force The test pin gauge is applied to each individual connector contact with the contact axes vertical and the gauge hanging vertically downwards. The total mass of the gauge shall be such as to exert the applicable force as show in table.</p> <table border="1" style="margin-left: auto; margin-right: auto; border-collapse: collapse;"> <thead> <tr> <th rowspan="3">Type of connector</th> <th colspan="3">Withdrawal force N (kg)</th> </tr> <tr> <th colspan="2">Multi-pin gauge</th> <th rowspan="2">Single-pin gauge minimum</th> </tr> <tr> <th>Max</th> <th>Min</th> </tr> </thead> <tbody> <tr> <td>0.2A 2.5A 6A 10A</td> <td style="text-align: center;">50 (5.1)</td> <td style="text-align: center;">10 (1.0)</td> <td style="text-align: center;">1.5 (0.15)</td> </tr> <tr> <td>16A</td> <td style="text-align: center;">60 (6.1)</td> <td style="text-align: center;">15 (1.5)</td> <td style="text-align: center;">2 (0.2)</td> </tr> </tbody> </table>	Type of connector	Withdrawal force N (kg)			Multi-pin gauge		Single-pin gauge minimum	Max	Min	0.2A 2.5A 6A 10A	50 (5.1)	10 (1.0)	1.5 (0.15)	16A	60 (6.1)	15 (1.5)	2 (0.2)	<p>After Verification of the maximum withdrawal force test. The principal mass is hung on the connector without jolting and the supplementary mass is allowed to fall from a height of 5 cm on to the principal mass. The connector shall not remain in the appliance inlet.</p> <p>After Verification of the minimum withdrawal force test. The test pin gauge is applied gently, and care is taken not to knock the assembly when checking the minimum withdrawal force. The gauge shall not fall from the contact assembly within 3 sec.</p>
Type of connector	Withdrawal force N (kg)																		
	Multi-pin gauge		Single-pin gauge minimum																
	Max	Min																	
0.2A 2.5A 6A 10A	50 (5.1)	10 (1.0)	1.5 (0.15)																
16A	60 (6.1)	15 (1.5)	2 (0.2)																
6	<p>Resistance to Aging 老化試驗</p> <p>Samples of each catalog number were placed in an air-circulating oven maintained at 100 °C for 96 hours.</p>	<p>There was no cracking or deformation.</p>																	
7	<p>Polarity/Continuity 導通</p> <p>The power cord shall be test polarity and continuity, the test voltage is 24V DC</p>	<p>Without breakdown</p>																	

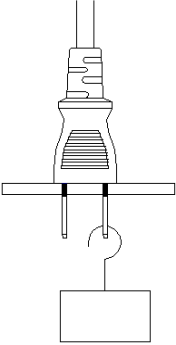
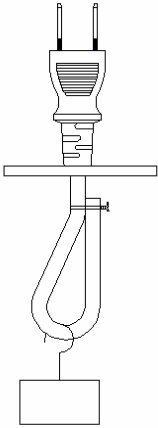
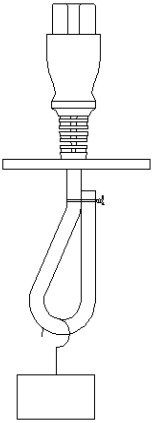
I-SHENG ELECTRIC WIRE & CABLE CO., LTD.

發行 2000.03.05	ISSUED	標準名稱 STD.NAME	SPECIFICATION	檔案編號 FILE NO
修訂 2010.05.04	REVISED	題目 TITLE	THE CHARACTERISTIC OF POWER SUPPLY CORD FOR UL & CSA	SPEC-AC

Items 項目	Conditions 條件	Specification 規格
8 Resistance to heat 耐熱試驗	<p>The test being made in a heating cabinet at a temperature of 100 ±2°C .</p> <p>The specimen is clamped between steel jaws, having a cylindrical face of 25mm radius, a width of 15mm and a length of 50mm. The corners are rounded with a radius of 2.5mm.</p> <p>The specimen is clamped in such a way that the jaws press against it in the area where it is gripped in normal use, the centre line of the jaws coinciding as nearly as possible with the centre of this area.</p> <p>The force applied through the jaws is 20N.</p>	<p>After 1h, the jaws are removed and the specimen shall show no damage within the meaning of this standard.</p>
9 Moisture resistance 耐濕性	<p>The humidity treatment is carried out in a humidity cabinet containing air with a relative humidity maintained between 91% and 95%. The temperature of the air, at all places where specimens can be located, is maintained within ±1°C of any convenient value t°C between 20°C and 30°C .</p> <p>Before being placed in the humidity cabinet, the specimens are brought to a temperature between t°C and (t+4) °C .</p> <p>The specimens are kept in the cabinet for - 168h (7 days) for connector with earthing contact and for appliance inlets with earthing contact, which are submitted as individual accessories, not incorporated in other equipment. - 48h (2 day) in all other cases.</p>	<p>After this treatment, the specimen shall show no damage.</p>
10 Blade Connection Secureness 銅片與線材壓著力 測試	<div style="text-align: center;">  </div> <p>A pull of 20 lbf (89 N) shall be applied if the conductor is No. 18 AWG or larger in size. If a smaller cord is used, the pull shall be 8 lbf (36 N).</p>	<p>The connection shall not break under a pull applied for 1 minute between the element and the conductor before the element has been assembled into the fittings..</p>

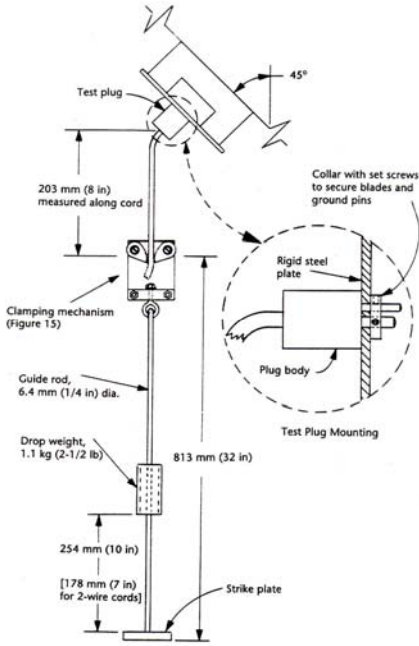
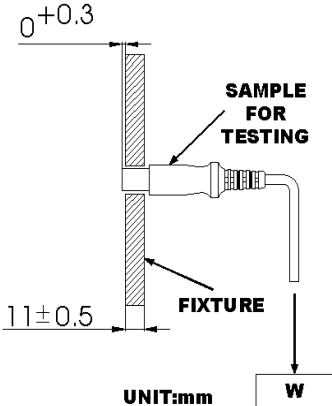
I-SHENG ELECTRIC WIRE & CABLE CO., LTD.

發行 2000.03.05	ISSUED	標準名稱 STD.NAME	SPECIFICATION	檔案編號 FILE NO
修訂 2010.05.04	REVISED	題目 TITLE	THE CHARACTERISTIC OF POWER SUPPLY CORD FOR UL & CSA	SPEC-AC

Items 項目	Conditions 條件	Specification 規格
11	Blade security 銅片牢固力測試 Apply a straight pull of 89 Newton for 2 min between an attachment plug and blade(s). 	After the test, the blades shall not be displaced by more than 2.4mm.
12	Strain relief 外部拉力測試 Apply a straight pull of 137.2 Newton for 1 min between an attachment plug and a flexible cord and between a cord connector and a flexible cord.  Between an attachment plug and a flexible cord  Between a cord connector and a flexible cord	Without damage, such as displacement or looseness or detachment of metal parts, conductor break, insulation damage etc.

I-SHENG ELECTRIC WIRE & CABLE CO., LTD.

發行 2000.03.05	ISSUED	標準名稱 STD.NAME	SPECIFICATION	檔案編號 FILE NO
修訂 2010.05.04	REVISED	題目 TITLE	THE CHARACTERISTIC OF POWER SUPPLY CORD FOR UL & CSA	SPEC-AC

Items 項目	Conditions 條件	Specification 規格
13 Abrupt Pull 突拉測試	<p>Each of six representative assemblies consisting of an attachment plug or current tap molded onto a 12 inch (305 mm) length of flexible cord is necessary for the test.</p> <p>The angle is 45° to the vertical in the event that the grounding conductor doesn't break before any of the line conductors or the test is discontinued after the maximum of 25 impacts has been reached, the acceptability of the grounding conductor is to be verified by causing it to carry a current of 40 A at 6 – 12 V for 2 minutes.</p> 	For each sample, the grounding conductor did not open before any of the line conductors
14 Bending strength of connector body 本體機械強度	<p>After the connector's point is fixed as shown in the figure below. Load of 10kg shall be applied vertically and slowly for 15 s.</p>  <p style="text-align: center;">UNIT:mm</p>	After the test, the connector shall show no damage.



File E55943

Vol 1

Issued: 1983-08-18

Revised: 2008-01-23

FOLLOW-UP SERVICE PROCEDURE
(TYPE L)

CORD SETS AND POWER-SUPPLY CORDS
(ELBZ,ELBZ7)

Manufacturer: SEE ADDENDUM FOR MANUFACTURING LOCATIONS

Applicant: I SHENG ELECTRIC WIRE & CABLE CO LTD
(153371-001) 52 TIN HWU RD
TA GANN VILLAGE
GWAI SAN HSIAN
TAOYUAN HSIEN 333 TAIWAN

Listee: SAME AS APPLICANT
(153371-001)

This Procedure authorizes the above manufacturer to use the marking specified by Underwriters Laboratories Inc.(UL), or any authorized licensee of UL, only on products covered by this Procedure, in accordance with the applicable UL Services Agreement.

The prescribed Mark or Marking shall be used only at the above manufacturing location on such products which comply with this Procedure and any other applicable requirements.

The Procedure contains information for the use of the above named Manufacturer and representatives of Underwriters Laboratories Inc. and is not to be used for any other purpose. It is lent to the Manufacturer with the understanding that it is not to be copied, either wholly or in part, and that it will be returned to Underwriters Laboratories Inc. (UL) or any authorized licensee of UL, upon request.

This PROCEDURE, and any subsequent revision, is the property of Underwriters Laboratories Inc.(UL) and the authorized licensee of UL and is not transferable.

Underwriters Laboratories Inc.

Stephen Hewson
Senior Vice President
Global Follow-Up Service Operations

William R. Carney
Director
North American Certification Program

LOCATION

- (100225-395) I-SHENG ELECTRIC WIRE & CABLE CO
(VIETNAM)
LOT D4-2, QUE VO INDUSTRIAL PARK
QUE VO DISTRICT VIET NAM

- (153371-001) I SHENG ELECTRIC WIRE & CABLE CO LTD
52 TIN HWU RD
TA GANN VILLAGE
GWAI SAN HSIAN
TAOYUAN HSIEN 333 TAIWAN

- (628100-001) I SHENG MFG (SONG GANG) FACTORY
TANG XIA YONG RD
SONG GANG TOWN
BAO'AN
SHENZHEN,
GUANGDONG 518105 CHINA

- (628100-003) I SHENG ELECTRONICS (KUNSHAN) CO LTD
KUNSHAN DEVELOPMENT ZONE
888 TAI SHAN RD
KUNSHAN,
JIANGSU 215300 CHINA

GENERALPRODUCT COVERED:

Power Supply Cords.

FACTORY LOCATION AND IDENTIFICATION:

<u>Location</u>	<u>Identification</u>
(153371-001)	NONE
(628100-001)	"C"
(628100-003)	"K"
(100225-395)	"V"

TEST EQUIPMENT PROVIDED BY MANUFACTURER:

Test equipment is provided in accordance with the Standard for Cord Sets and Power Supply Cords. The oven used for the Blade Pull At Elevated Temperature Test manufactured by Kao Tieh Machinery Industrial Co., Ltd., Model 7062, calibrated annually.

TESTS TO BE CONDUCTED AT THE FACTORY:

This manufacturer is authorized to perform the Blade Pull at Elevated Temperature Test and the Flexing Test as described in Part III of the Follow-Up and Inspection Instructions for UL 817 at his factory located at Tao Yuang Hsien, Taiwan twice yearly using their own test equipment while being witnessed by our local UL representative.

GENERAL CONSTRUCTION:

Products bearing one of the following Listing Marks shall comply with the Standard of Underwriters Laboratories Inc. for Cord Sets And Power Supply Cords (UL 817), the Canadian National Standard for Cord Sets and Power Supply Cords (C22.2 No. 21-95) and with the applicable description, if any, given elsewhere in this Volume or in the "SP" Volume of this Procedure.

Flexible cord intended for use with C-UL Listed Cord Sets and Power Supply Cords shall be UL Listed and meet the requirements of CSA C22.2 No. 21-95.

MARKING:

Listee's name, trade name or E55943 and factory identification in combination with any one of the following Listing Marks.

Detachable Power Supply Cords intended for shipment to Original Equipment Manufacturers, shall have any applicable markings provided on the outer surface of the shipping carton, or on a tag or the equivalent inside the carton. For Detachable Power Supply Cords intended for shipment to original equipment manufacturer, the electrical rating shall be on a tag, or an equivalent, on each individual Detachable Power Supply Cord unless the ampere rating of the flexible cord is equal to or greater than the ampere rating of the attachment plug.

LISTING MARKS:

UNDERWRITERS LABORATORIES INC.

®

LISTED

and/or

POWER SUPPLY CORD

and/or

DETACHABLE POWER SUPPLY CORD

and/or

NON-DETACHABLE POWER SUPPLY CORDS - SPECIAL PURPOSE

- Note: The Listing Mark to be used for Special Purpose Power Supply Cords consists of either the "Power Supply Cord - Special Purpose" combination label, or the "Detachable Power Supply Cord - Special Purpose" combination label in conjunction with engineering marking per the applicable Section (Sections 62 and 77) of the Standard for Cord Sets and Power Supply Cords and described in this procedure.

This engineering marking may be printed on the label bearing the Listing Mark or on a separate label.

Refer to individual sections for C-UL acceptance models.

INDEX

ATTACHMENT PLUG CAPS:

NEMA CONFIGURATION

Cat. No.	Config.	Cord AWG	Electrical A	Sec.	Fig.	C-UL
IH-115, SP-301B	5-15	16, 14, 12	13, 15, 15	1	28	Yes
SP-12, -12N	1-15	20, 18, 16	3, 10, 13	1	1	Yes
SP-12A	1-15	18, 16	10, 13	1	13	No
SP-12C	1-15	18	7	1	37	Yes
SP-13, -13N	1-15	18	10	1	26	Yes
SP-14, -14N	1-15	18, 16	10, 13	1	27	Yes
SP-15, -15P	1-15	18	10	1	3	No
SP-16	1-15	20, 18	3, 10	1	4	No
SP-16B	1-15	18	7	1	16	Yes
SP-17	1-15	20, 18	3, 10	1	4	No
SP-18, -18N	1-15	18, 16	10, 13	1	6	No
SP-19	1-15	18	10	1	-	YES
SP-20, -20N	1-15	18, 16	10, 13	1	8	No
SP-30	5-15	18	10	1	5	Yes
SP-30A	5-15	18	10	1	5	No
SP-77	5-15	18, 16	10, 13	1	-	Yes
SP-301, -301A	5-15	18, 16, 14	10, 13, 15	1	7	Yes
SP-303	5-15	18, 16, 14	10, 13, 15	1	9	No
SP-304	5-15	18, 16, 14	10, 13, 15	1	10	No
SP-305	5-15	18	10	1	11	Yes
SP-305A	5-15	18, 16	10, 13	1	11	Yes
SP-305B	5-15	18, 16	10, 13	1	38	Yes
SP-306	5-20	14	18	1	11	Yes
SP-306A	6-20	14, 12	18, 20	1	17	Yes
SP-307	5-20	14, 12	18, 20	1	18	Yes
SP-307A	6-20	14, 12	18, 20	1	19	Yes
SP-302	6-15	18, 16, 14	10, 13, 15	1	2	No
SP-30H	5-15	18, 16, 14	10, 13, 15	1	12	Yes
SP-308	5-15	18, 16, 14	10, 13, 15	1	20	Yes
SP-308A	5-15	18, 16, 14	10, 13, 15	1	24	Yes
SP-308C	5-15	14, 12	15, 15	1	-	Yes
SP-308D	5-15	18, 16, 14, 12	10, 13, 15, 15	1	-	Yes
SP-309	L5-20	14, 12	18, 20	1	14	Yes
SP-309A	L6-20	14, 12	18, 20	1	21	Yes
SP-310	L5-30	14, 12, 10	18, 25, 30	1	22	Yes
SP-310A	L6-30	14, 12, 10	18, 25, 30	1	23	Yes
SP-18H, SP-18HN	1-15	16, 14	13, 15	1	25	Yes
SP-L142	L14-20	12, 10	20, 20	1	32	Yes
SP-L143	L14-30	12, 10	25, 30	1	-	Yes
SP-306C	5-20	14, 12	18, 20	1	29	Yes
SP-306B	6-20	14, 12	18, 20	1	-	Yes
SP-71A	1-15	18, 16	10, 13	1	30	Yes
SP-74	1-15	18, 16	10, 13	1	31	Yes
SP-12D	1-15P	18	7	1	-	Yes

ATTACHMENT PLUG CAPS:

NEMA CONFIGURATION

Cat. No.	Config.	Cord AWG	Electrical A	Sec.	Fig.	C-UL
SP-103	10-30	10/3	30	1	33	No
SP-105	10-50	10/3	30	1	34	No
SP-143	14-30	8/2 - 10/1	40	1	35	No
SP-145	14-50	8/2 - 10/2	40	1	36	No
SP-12E	1-15	18/2	7	1	39	Yes
SP-302R	6-15	14/3	15	1	40	Yes
SP-NE16	1-15	16/2	13	1	41	Yes

NON STANDARD CONFIGURATION

Cat. No.	Config.	Cord AWG	Electrical A/V	Sec.	Fig.	C-UL
IS-011	C-14 Blade Shroud	18, 17, 16, 14	10, 10, 13, 15/125, 250	5	1	Yes
IS-011A	C-14 Blade Shroud	18, 16	10, 13/125, 250	5	1A	Yes
SW-011	C-14 Blade Shroud	16	13/250	5	2	Yes
IS-018	C-20 Blade Shroud	14, 14, 12	16, 15, 20/125 or250	5	3	Yes

CORD CONNECTOR BODIES:

NEMA CONFIGURATION

Cat. No.	Config.	Cord AWG	Electrical A	Sec.	Fig.	C-UL
IS-013B, IS-013B (A.C.1), IS-013C, IH-505, IH-505A	5-15	16, 14, 12	13, 15, 15	2	22	Yes
IS-012	1-15	16, 14	13, 15	2	6	No
IS-013, IS-013A	5-15 Special Use	18	10	2	7	Yes
IS-013	5-15	16, 14	13, 15	2	7	No
IS-023	5-20R	16, 14, 12	13, 18, 20	2	--	No
IS-L142	L14-20R	12, 10	20, 20	2	29	Yes
IS-L143	L14-30R	10	30	2	-	Yes
PT-013	5-15R	16, 14	13, 15	2	--	Yes
PT-905A	5-15	16, 14, 12	13, 15, 15	2	20	Yes
PT-907A, PT-907B, PT-907C	5-15R	14, 12	15, 15	2	--	No
PT-114	1-15R	16	13	2	23	Yes
IS-L52	L5-20R	14, 12	18, 20	2	24	Yes
IS-L53	L5-30R	12, 10	20, 30	2	-	Yes
IS-L63	L6-30R	12, 10	20, 30	2	-	Yes
IS-012L	1-15R	16	13	2	25	Yes
IS-013L	5-15R	16, 14, 12	13, 15, 15	2	26	Yes
PT-NE114	1-15	16	13	2	53	Yes

Note: A.C.1 - Alternate Construction No. 1.

IEC/Non Standard Configuration

Cat. No.	Config.	Cord AWG	Electrical A/V	Sec.	Fig.	C-UL
IS-07	C-1	18	7/125	2	1	No
IS-08	C-7	18	7/125	2	2	No
IS-010	C-13	18	10/125	2	3	No
IS-020	C-17	18	10/125	2	--	Yes
IS-14	C-13	18,17,16,14	10,10,13,15/125 or 250	2	3A	Yes
IS-14 (A.C.1)	C-13	18,16,14	10,13,15/125 or 250	2	30	No
IS-14B	C-13	14,12	15,15/125 or 10,10/250	2	--	Yes
IS-14E	C-13	18,16	10,13/125 or 250	2	3A1	No
IS-15	C-13	18,17,16,14	10,10,13,15/125 or 250	2	5	Yes
IS-15 (A.C.1)	C13	18,16	10,13/125 or 250	2	33	Yes
IS-15A	C13	18,16	10,13/125 or 250	2	-	Yes
IS-15B	C13	18,16	10,13/ 125 or 250	2	36	Yes
IS-17	C-13	18,16	10,13/125 or 250	2	--	No
IS-17 (A.C.1)	C13	18,16	10,13/125 or 250	2	39	Yes
IS-17A	C13	18,16	10,13/125 or 250	2	39	Yes
IS-19	C-15	18,16,14	10,13,15/125 or 250	2	18	No
IS-19L	C-15	18,16,14	10,13,15/125 or 250	2	19	No
IS-033	C-7	18	7,10/125	2	8	Yes
IS-033A	C-7	18	7,10/125	2	--	YES
IS-033L	C-7	18	7/125	2	37	Yes
IS-033LS	C-7	18	7/125	2	45	Yes
IS-034	C-5	18	7,10/125	2	10	No
IS-039	C-5	18	7,10/125	2	11	No
IS-039A	C-5	18	7,10/125	2	--	No
IS-039B	C-5	18	7/125	2	49	No
IS-037	C-7	18	7,10/125	2	9	No
IS-037A	C-7	18	7, 10/125	2	--	No
IS-037L	C-7	18	7,10/125	2	16	No
IS-037L (A.C.1)	C-7	18	7,10/125	2	35	Yes
IS-038	C-7	18	7,10/125	2	9	No
IS-038A	C-7	18	7,10/125	2	12	No
IS-14A	C-17	18,16,14	10,13,15/250	2	17	No
IS-14AH	C-17	18,16,14	10,13,15/250	2	17	No
IS-16	C-19	16,14, 14,12	13,16,15,20/125 or 250	2	13	Yes
IS-16B	C-19	16,14,12	13,15,20/125 or 250	2	13	Yes
IS-16L	C19	16,14	13,15/125 or 250	2	34	Yes
IS-036	C-7	18 16	7,10/125 7,10,13/125	2	21	Yes

Note: A.C.1 - Alternate Construction No. 1.

IEC/Non Standard Configuration

Cat. No.	Config.	Cord AWG	Electrical A/V	Sec.	Fig.	C-UL
IS-08A	C-7	18	7,10/125	2	28	Yes
IS-08B	C-7	18	7/125	2	--	Yes
IS-033B	C-7	18	7,10/125	2	38	Yes
IS-08L	C-7	18	7/125	2	--	Yes
IS-034(A.C.1)	C-5	18	7,10/125	2	40	No
IS-15C	C13	18,16	10,13/125 or 250	2	41	Yes
IS-033C	C7	18	7,10/125	2	42	Yes
IS-14C	C13	18,16	10,13/ 125 or 250	2	43	Yes
IS-08C	C7	18	7,10/125	2	44	Yes
IS-033D	C7	18/2	7/125	2	48	Yes
IS-14N	C13	18/3	10/125 or 250	2	50,51	Yes
IS-034A	C5	18/3	7,10/125	2	52	Yes

Note: A.C.1 - Alternate Construction No. 1.

CURRENT TAPS:

NEMA Configuration

Cat. No.	Config.	Cord AWG	Electrical A/V	Sec.	Fig.	C-UL
SP-40	1-15	18	10	4	1	No
SP-R12A, SP-R12	1-15	18, 16	10, 13	4	--	Yes
SP-R30A, SP-R30	5-15	18, 16	10, 13	4	--	Yes
SP-R30S	5-15	18, 16, 14	10, 13, 15	4	--	Yes
SP-R31S, SP-R31SL	5-15	18, 16, 14	10, 13, 15	4	2	Yes

UNLISTED COMPONENT, JOINT:

Y-Joint

Cat. No.	Cord AWG	Electrical A/V	Sec.	Fig.	C-UL
SY-01	(2) 18, (1) 16	10	6	1	No

APPLIANCE PLUGS:

Cat. No.	Cord AWG	Electrical Rating A/V	Section	Fig.
IS-50	18/2C (HPN)	10/125 or 5/250	7	1
	16/2C (HPN)	15/125 V or 10/250		
	14/2C (HPN)	15/125 V or 10/250		
IS-51	18/2C (HPN)	10/125 or 5/250	7	2
	16/2C (HPN)	15/125 V or 10/250		
	14/2C (HPN)	15/125 V or 10/250		



CERTIFICATION RECORD

The company named below has been authorized by CSA International to represent the products listed in this record as “CSA Certified” and to affix the CSA Mark to these products according to the terms and conditions of the CSA Service Agreement and applicable CSA program requirements (including additional Markings).

File No: 035162_0_000

Class No: 5842 02 CORD SETS Power Supply Cords

SUBMITTOR

I-Sheng Electric Wire & Cable Co., Ltd.
4501124 No 52 Tin Hwu Rd, Ta Gann Village, Gwai San Hsian,
Taoyuan Hsien, 33334
Taiwan

FACTORIES

I-Sheng Electric Wire & Cable Co., Ltd.
4501124 No 52 Tin Hwu Rd, Ta Gann Village, Gwai San Hsian
Taoyuan Hsien, 33334
Taiwan

I-Sheng Electric Wire & Cable Co., Ltd.
4651426 Tangxiayong Rd., Songgang Town, Bao'an Shenzhen,
Guangdong 518105
China

I-Sheng Electric Wire & Cable Co., Ltd.
4709892 No. 888, Tai Shan Rd., Kunshan Development Zone,
Kun Shan City, Jiang Su Province,, Jiangsu
China



CERTIFICATION RECORD

The company named below has been authorized by CSA International to represent the products listed in this record as "CSA Certified" and to affix the CSA Mark to these products according to the terms and conditions of the CSA Service Agreement and applicable CSA program requirements (including additional Markings).

File No: 035162_0_000
 Class No: 5842 02 CORD SETS Power Supply Cords

SUBMITTOR

4501124 I-Sheng Electric Wire & Cable Co.,
 Ltd.
 No 52 Tin Hwu Rd
 Ta Gann Village
 Gwai San Hsian
 Taoyuan Hsien, 33334
 Taiwan

FACTORIES

4501124 I-Sheng Electric Wire & Cable Co.,
 Ltd.
 No 52 Tin Hwu Rd
 Ta Gann Village
 Gwai San Hsian
 Taoyuan Hsien, 33334
 Taiwan

4651426 I-Sheng Electric Wire & Cable Co.,
 Ltd.
 Tang Xia Yong Rd
 Songgang Town
 Bao'An
 Shenzhen, Guangdong 518105
 China

4709892 I-Sheng Electronics (Kunshan)
 Co., Ltd.
 No. 888, Tai Shan Rd.
 Kunshan Development Zone
 Kun Shan City, Jiang Su Province, Jiangsu
 China

4768560 I-Sheng Electric Wire & Cable Co
 Ltd
 Lot D4-2 Que Vo Road
 Que Vo Industrial Park, Bac Ninh
 Vietnam

July 8, 2013(Replaces:November 8, 2012)

THE FOLLOWING COMPLY WITH CSA STD C22.2 NO 21-95, CERTIFICATION NOTICE - WIRING PRODUCTS NO. 6.

Cat No	Conf.	Rating	Cord Size (AWG)	Cord Type
IS-010	S-use Female (IEC C13)	10A, 125/250V	18/3	SVT (S&U), SJT (S&U), SJTW
IS-020	S-use Female (IEC C17)	10A, 125/250V	18/3	SVT (S&U), SJT (S&U)
IS-011, IS-011A	S-use Male (IEC C14)	13A or 15A, 125/250V	14/3	SJT, SJTW, SJTO, SJTOW
		13A, 125/250V	16/3	SJT (S&U), SJTW, SJTO, SJTOW
		10A, 125/250V	17/3	SVT, SJT
IS-14, IS-14E	S-use Female (IEC C13)	15A, 125/250 V	14/3	SPT-3, SJT, SJTW
		13A, 125/250V	16/3	SPT-2, SPT-3, SJT (S&U), SJTW
		10A, 125/250V	17/3	SVT, SJT
		10A, 125/250V	18/3	SPT-2, SPT-3, SJT, SVT (S&U), SJTW, SVT(TPE), SVTO(TPE), SJT(TPE), SJTO(TPE), SV, SVO, SVOO
IS-14A	S-use Female (IEC C17)	10A, 125/250V	18/2	SVT, SJT
IS-14AH	S-use Female (IEC C17)	10A, 125/250V	18/2	SJT(TPE)
IS-14B	S-use Female (IEC C13)	15A, 125/250V	14/3, 12/3	SJT (S&U), SJTO, SJTW, SJTOW, SJTOOW
IS-19, IS-19L	S-use Female (IEC C15)	15A, 125/250 V	14/3	SJT, SJTW
		13 A, 125/250 V	16/3	SJT (S&U), SJTW
		10 A, 125.250 V	18/3	SJT, SVT (S&U), SJTW
IS-021	S-use Male	6A/10A, 250V	18/3	SJT, SVT (S&U)
IS-034	S-use Female	7A or 10A, 125V	18/3	SPT-1, -2, SVT (S&U),

				SJT SJTW, SJTO, SJTOW, SPT-2(TPE), SVT(TPE), SVTO(TPE), SJT(TPE), SJTO(TPE), SV, SVO, SVOO
IS-036	S-use Female (IEC C7)	7A, 125/250V	18/2 16/2	SPT-2, NISPT-2, SVT SPT-2, NISPT-2
IS-039, IS-039A	S-use Female	7A or 10A, 125V	18/3	SPT-1, -2, SVT (S & U), SJT SJTW, SJTO, SJTOW SVT(TPE), SVTO(TPE), SJT(TPE), SJTO(TPE), SV, SVO, SVOO
IS-039B	S-use Female	7A or 10A, 125V	18/3	SVT
SP-15P	1-15P	-	18/2	SPT-1, -2
SP-20, SP-20N	1-15P	-	16/2	SJ, SJO, SJOO, SJOW, SJOOW, SJT, SJTW, SJTOW
			18/2	SJ, SJO, SJOO, SJOW, SJOOW, SVT, SJT, SJTW, SJTOW
SP-30, SP-30A	5-15P	-	18/3	SPT-2, SJT, SVT (S&U) SVT(TPE), SVTO(TPE), SJT(TPE), SJTO(TPE), SV, SVO, SVOO
SP-30H	5-15P	-	18/3, 16/3	SJT
SP-301	5-15P	-	12/3	SJT, SJTO, SJTW, SJTOW
			14/3	SPT-3, SJT (S&U), SJTW (S&U), SJTOW(S&U), S (S&U), SJ (S&U)
			16/3	SPT-2, SJT (S&U), SJTW (S&U), SJTOW (S&U), S (S&U), SJ (S&U), ST, STO, STOW, STW
			18/3	SPT-1, -2, -3, SVT (S&U), SJT(S&U), SJTW (S&U), SJTOW(S&U), S (S&U), SJ (S&U), SVT(TPE), SVTO (TPE), SJT(TPE), SJTO(TPE), SV, SVO, SVOO
			14/3, 16/3, 18/3	HPN

SP-301A	5-15P	-	12/3	SJT, SJTO, SJTW, SJTOW
			14/3	SPT-3, SJT (S&U), SJTW (S&U), SJTOW(S&U), S (S&U), SJ(S&U)
			16/3	SPT-2, SJT (S&U), SJTW (S&U), SJTOW(S&U), S (S&U), SJ(S&U)
			18/3	SPT-1,-2,-3, SVT (S&U), SJT (S&U), SJTW (S&U), SJTOW (S&U), S(S&U), SJ(S&U)
			14/3, 16/3, 18/3	HPN
SP-301B, IH-115	5-15P		12/3, 14/3	SJT, SJTO, SJTW, SJTOW, ST, STO, STW, STOW
			16/3	SJT, SJTO, SJTW, SJTOW
SP-302	6-15P	-	14/3, 16/3, 18/3	SJT SJT SVT
SP-303, SP-304	5-15P	-	18/3 14/3, 16/3	SVT, SJT, S, SJ SJT, S, SJ
SP-305	5-15P	-	18/3	SPT-2, SVT (S & U), SJT, SJTW, SJTO, SJTOW, SPT-2(TPE), SVT(TPE), SVTO(TPE), SJT(TPE), SJTO(TPE), SV, SVO, SVOO
SP-305A	5-15P	-	18/3 16/3	SPT-1, -2, SJT, SJTW, SJTO, SJTOW SPT-2, SJT, SJTW, SJTO, SJTOW, SPT-2(TPE), SVT(TPE), SVTO(TPE), SJT(TPE), SJTO(TPE), SV, SVO, SVOO
SP-305B	5-15P	-	18/3 16/3	SPT-2, SVT (S & U), SJT, SJTW, SJTO, SJTOW, SPT-2(TPE), SVT(TPE), SVTO(TPE), SJT(TPE), SJTO(TPE), SV, SVO, SVOO SVT
SP-306,SP-307	5-20P	18A, 125V 20A, 125V	14/3 12/3	ST, SJT, SJTW ST, SJT, SJTW

SP-306A, SP-307A	6-20P	18A, 250V 20A, 250V	14/3 12/3	ST, SJT, SJTW ST, SJT, SJTW
SP-306B	5-20P		14/3, 12/3	SJT, SJTO, SJTW, SJTOO, SJTOOW, ST, STO, STW, STOW
SP-306C	6-20P		14/3, 12/3	SJT, SJTO, SJTW, SJTOO, SJTOOW, ST, STO, STW, STOW
SP-308	5-15P	-	18/3	SPT-2, SPT-3, SVT, SJT, SJTO, SJTW, SJTOW, SJTOOW
			16/3	SPT-2, SPT-3, SJT, SJTO, SJTW, SJTOW, SJTOOW
			14/3	SPT-3, SJT, SJTO, SJTW, SJTOW, SJTOOW
SP-308A	5-15P	-	18/3 16/3, 18/3 14/3, 16/3, 18/3	NISPT-1 SPT-2, NISPT-2 SPT-3
SP-308C	5-15P	-	14/3, 12/3	SJT (S&U), SJTO, SJTW, SJTOW, SJTOOW
SP-308D	5-15P	-	18/3 12/3, 14/3, 16/3, 18/3	SVT (S&U), SJT (S&U) SJT, SJTW, SJTO, SJTOW, SJTOO, SJTOOW
SP-309	L5-20P	20A, 125V 18A, 125V	12/3 14/3	SJT, SJTW
SP-309A	L6-20P	20 A, 250 V 18 A, 250 V	12/3 14/3	SJT, SJTW
SP-310	L5-30P	30 A, 125 V	10/3	SJT, SJTW
SP310A	L6-30P	30 A, 250 V	10/3	SJT, SJTW
SP-12, SP-12N	1-15P	-	16/2 18/2	SPT-2 SPT-1, SPT-2, NISPT-2, SPT-2(TPE), NISPT-2(TPE)
SP-12D	1-15P	-	18/2	NISPT-2
SP-12A	1-15P	-	18/2	SPT-1, NISPT-1, SPT-2, NISPT-2
SP-12C	1-15P	-	18/2	NISPT-2
SP-13	1-15P	-	18/2	SVT, SVT(TPE), SVTO(TPE), SJT(TPE), SJTO(TPE), SV, SVO, SVOO

			18/2, 16/2	SJT, SJTW, SJTO, SJTOW, SJTOO, SJTOOW
SP-13N, SP-14, SP-14N	1-15P	-	18/2 18/2, 16/2	SVT SJT, SJTW, SJTO, SJTOW, SJTOO, SJTOOW
SP-15	1-15P	-	18/2	SPT-1, SPT-2
SP-16, SP-17	1-15P	-	20/2	SPT-1
SP-16B	1-15P	7 A, 125 V	18/2	SPT-1, SPT-2, NISPT-2
SP-16C	1-15P	2.5 A or 5 A, 125 V	18/2 16/2	SVT, SJT, SPT-2, HPN SPT-2, HPN
IS-018	S-use Male	16 or 18 A, 250 V 20 A, 250 V	14/3 12/3	SJT, SJTW, SJTO, SJTOO, SJTOW, SJTOOW
SP-18, SP-18N	1-15P	-	18/2 16/2, 18/2	SPT-1, SPT-2, NISPT-2 HPN
SP-18H, SP-18HN	1-15P	15 A, 125 V	16/2, 14/2	HPN, SJ, SJO, SJOO, SJOW, SJOOW
SP-19	1-15P	-	18/2	SPT-2, NISPT-2
SP-77	5-15P	-	18/3	SPT-2, SPT-3, SVT, SJT, SJTW, SJTO, SJTOW, SJTOOW, SJ, SJO, SJOO, SJOW, SJOOW
			16/3	SJT, SJTO, SJTW, SJTOO, SJTOW, SJTOOW
BS-SR-01	Bushing	-	18/2	SPT-2
IS-SR-05	Bushing	-	14/3	SJT
SP-SR-01	Bushing	-	18	SPT-1, -2
SP-SR-02	Bushing	-	18	SPT-1, -2
ZTC-SR-01	Bushing	-	18/2	SPT-2

Notes:

1. These are Certified only for supply to manufacturers for the assembly, as components, of Certified electrical equipment where the suitability of the combination is determined by the CSA International.
2. "(S & U)" denotes shielded and unshielded; (N) denotes non-integral; (I&N) denotes integral and non-integral.
3. Bushing may be a part of a Certified power supply cord.

Cat No	Conf.	Rating	Cord Size (AWG)	Cord Type
IS-15, IS-15A	Special-Use connector	10A, 125/250V	18/3	SVT (S&U), SJT (S&U),

				SVT (TPE), SVTO (TPE), SJT (TPE), SJTO (TPE), SV, SVO, SVOO
		10A, 125/250V	17/3	SVT, SJT
		13A, 125/250V	16/3	SJT (S&U)
		15A, 125/250V	14/3	SJT (S&U)
IS-15B, IS-14C	Special-Use connector (IEC C13)	10A, 125/250V	18/3	SVT, SJT, SJTO, SJTW, SJTOW
		13A, 125/250V	16/3	SJT, SJTO, SJTW, SJTOW
IS-15C	Special-Use connector (IEC C13)	10A, 125/250V	18/3	SVT (S&U), SJT, SJTO, SJTW, SJTOW
		13A, 125/250V	16/3	SJT, SJTO, SJTW, SJTOW
IS-17, IS-17A	Special-Use connector	10A, 125/250V	18/3	SVT, SJT (S&U)
		13A, 125/250V	16/3	SJT (S&U)
		15A, 125/250V	14/3	SJT (S&U)
IS-16, IS-16B IS-16L	S-use Female (IEC C19)	13A, 125/250 V	16/3	SJT, SJTW, SJTO, SJTOO, SJTOW, SJTOOW
		16 or 18 A, 125/250 V	14/3	
		20 A, 125/250 V	12/3	

File No:041230_0_000

MASTER CONTRACT: 151686

SUBMITTOR

I-Sheng Electric Wire & Cable
Co. Ltd.
No 52, Tin Hwu Rd.
Ta Gann Village
Gwai San Hsian
Taoyuan Hsien 33334
Taiwan
Attention: Mr. I.H. Fang
President

Date: January 19, 2005
Replaces: July 29, 2004
Main File: Vancouver

FACTORIES	INSPECTION OFFICE	FILE/FACORY CONTRACT NO
-----------	-------------------	----------------------------

MASTER

.4501124		
F1 I-Sheng Electric Wire & Cable Co., Ltd. No 52, Tin Hwu Rd. Ta Gann Village Gwai San Hsian Taoyuan Hsien 33334 Taiwan	CTS	41230/151687

NOW SINGLE FILE FORMAT. NO EFFECTIVE SATELLITES.

4546628		
F2 I-Sheng Electric Wire & Cable Co., Ltd. Fu Ming Road Kunshan Development Zone Kun Shan City Jiang Su Province, Jiangsu 215300 China	CCIC	41230/151688

4558038		
F3 I-Sheng Electric Wire & Cable Co., Ltd. 2nd Blk., Hengzhao Industrial Area Songgang Town, Basan Shenzhen, Guangdong 518105 China	DELETED	41230/-

4651426		
F4 I-Sheng Electric Wire & Cable Co., Ltd. Tangxiayyong Road Songgang Town Baolan Shenzhen, Guangdong 518105 China	CCIC	41230/207446

4709892		
F5 I-Sheng Electric Wire & Cable Co., Ltd. No. 888, Tai Shan Rd. Kunshan Development Zone Kun Shan City, Jiang Su Province Jiangsu China	CCIC	41230/228142

REPORT NO-APPL. NO/ FACTORY NOS	SUBJECT
---------------------------------	---------



Certification Record

CUSTOMER	CLASS	FILE
I-Sheng Electric Wire & Cable Co., Ltd. No 52 Tin Hwu Rd, Ta Gann Village Gwai San Hsian Taoyuan Hsien 33334 Taiwan	5841-03 CORD SETS -Special-use Cord Sets	041230_0_000
Refer to Class Description for program details		

TO THE REQUIREMENTS OF CSA STDS C22.2 NO 21-95, 42-99, 182.3-M1987:

Female Cat No	Config./ Cord AWG, Type	Male Cat No	Config.	Max Rating of Cord Set	Cord AWG	Cord Type
<ul style="list-style-type: none"> • Single Connector Body per Cord Set. 						
IS-037, IS-038	S-use	Certified	1-15P	7A, 125V	18/2	SPT-1, -2*, SVT, SJT
IS-14, IS-14E	C13	Certified	5-15P, 6-15P, S-use	15A, 125/250V 13A, 125/250V 10A, 125/250V	14/3 16/3 18/3	SJT SJT# SJT, SVT#, SJTW
IS-14E	C13	IS-011A	5-15P	13A, 125/250V 10A, 125/250V	16/3 18/3	SJT#, SJT, SVT#,
IS-14, -15	C13	IS-011, IS-021	C14	13A, 125V, 10A, 250V max	18/3 16/3	SJT#, SVT#, SJTW
IS-16	S-use	Certified	5-15P	7/10A, 125V	18/3	SJT, SVT
IS-033	C7	SP-12, SP-12N	1-15P 1-15P	7A, 125V	18/2	SPT-1, -2*
IS-034, IS-039, IS-039A	S-use	SP-30, SP-302, SP-305	5-15P	7A, 125V	18/3	SVT# , SJT
IS-038A	S-use	SP-12A	1-15P	7A, 125V	18/2	SPT-2 non-integral
IS-037A	S-use	SP-12N	1-15P	7A, 125 V	18/2	SPT-2 non-integral
IS-14B	S-use C13	SP-308C	5-15P	15A, 125V	14/3, 12/3	SJT (S&U), SJTO, SJTW, SJTO,

						SJTOOW SJT, SJTW
IS-14	S-use C13	SP-309A	L6-20P	15A, 250V	14/3	
• Two Connector Bodies per Cord Set.						
IS-14 (or IS-15) and IS-37	C13/16,18 SJT	SP-301 (or IS-011)	5-15P (C14)	10A, 125V	14, 16	SJT++
IS-14 and IS-15	C7/18 SPT-2, SJT C13/ 18 SVT+ C13/ 18 SVT	SW-011	C14	10A, 125V	16	SJT++

Legend:

"C7", "C13", "C14" IEC320 Type configurations.

*Integral and non-integral.

#Shielded and non-shielded.

"Two Connector Bodies per Cord Set" These cord sets each incorporate two connector bodies and a plug cap moulded on flexible cords connected together by a Y-Junction, Cat No SY-03.

+Has strain relief bushing moulded on the flexible cord.

++Flexible cord from plug cap to Y-Junction.



Certificate of Compliance

Certificate: 1981242

Master Contract: 151686 (LL 41230)

Project: 2576907

Date Issued: December 7, 2012

Issued to: I-Sheng Electric Wire & Cable Co., Ltd.
 No. 52 Tin Hwu Rd.,
 Ta Gann Village,
 Gwai San Hsian,
 Taoyuan Hsien 33334,
 TAIWAN
Attention: Ms. Kelly Chien

The products listed below are eligible to bear the CSA Mark shown



Issued by:

Jupiter Huang
 Jupiter Huang
 Certifier

PRODUCTS

CLASS 5841 03 - CORD SETS - Special-Use Cord Sets

Cord set(s) consisting of the following plug cap and connector moulded onto flexible cords as listed:

Female Cat No	Config./Type	Male Cat No	Config.	Max Rating of Cord Set	Cord AWG	Cord Type
PART A: IS-033	S-use/C7	SP-12	1-15P (polarized)	7A, 125V	18/2	SPT1, SPT-2, NISPT-2, SPT-2(TPE), NISPT-2(TPE)
		SP-12N	1-15P			
PART B: IS-033A	S-use/C7	SP-19	1-15P	7A, 125V	18/2	SPT-2, NISPT-2
PART C: IS-08A	S-use/C7	SP-12	1-15P (polarized)	7A, 125V	18/2	SPT-1, SPT-2, NISPT-2
		SP-12N	1-15P			



Certificate: 1981242

Master Contract: 151686 (LL 41230)

Project: 2576907

Date Issued: December 7, 2012

Female Cat No	Config./Type	Male Cat No	Config.	Max Rating of Cord Set	Cord AWG	Cord Type
PART D: IS-08B	S-use/C7	SP-12	1-15P (polarized)	7A, 125V	18/2	SPT-1, SPT-2, NISPT-2
		SP-12N	1-15P			
		SP-12D	1-15P (polarized)			
PART E: IS-033L, IS-033LS	S-use/C7	SP-12C	1-15P	7A, 125V	18/2	NISPT-2
		SP-12D	1-15P (polarized)			
		SP-12N	1-15P			
PART F: IS-033B	S-use/C7	SP-12C	1-15P	7A, 125V	18/2	NISPT-2
		SP-12D	1-15P (polarized)			
		SP-12N	1-15P			
PART G: IS-033C	S-use/C7	SP-12C	1-15P	7A, 125V	18/2	NISPT-2
		SP-12D	1-15P (polarized)			
		SP-12N	1-15P			SPT-1, SPT-2, NISPT-2, SPT-2(TPE), NISPT-2(TPE)
PART H: IS-08C	S-use/C7	SP-12	1-15P (polarized)	7A, 125V	18/2	SPT-1, SPT-2, NISPT-2
		SP-12D	1-15P (polarized)			

APPLICABLE REQUIREMENTS

- CSA Std. C22.2 No. 21-95 - Cord Sets and Power Supply Cords
- CSA Std. C22.2 No. 182.3-M1987 - Special Use Attachment Plugs, Receptacles, and Connectors
- Inform's - Cord Sets No. 7A - Production Line Test for Cord Sets and Power Supply Cords



the standard in safety

Underwriters
Laboratories

File E88265

Vol 1

Issued: 1984-10-26

Revised: 2007-10-22

FOLLOW-UP SERVICE PROCEDURE
(TYPE L)

FLEXIBLE CORD
(ZJCZ,ZJCZ7)

Manufacturer: I SHENG ELECTRIC WIRE & CABLE CO LTD
(153371-001) 52 TIN HWU RD
TA GANN VILLAGE
GWAI SAN HSIAN
TAOYUAN HSIEN 333 TAIWAN

Applicant: SAME AS MANUFACTURER
(153371-001)

Listee: SAME AS MANUFACTURER
(153371-001)

This Procedure authorizes the above manufacturer to use the marking specified by Underwriters Laboratories Inc.(UL), or any authorized licensee of UL, only on products covered by this Procedure, in accordance with the applicable UL Services Agreement.

The prescribed Mark or Marking shall be used only at the above manufacturing location on such products which comply with this Procedure and any other applicable requirements.

The Procedure contains information for the use of the above named Manufacturer and representatives of Underwriters Laboratories Inc. and is not to be used for any other purpose. It is lent to the Manufacturer with the understanding that it is not to be copied, either wholly or in part, and that it will be returned to Underwriters Laboratories Inc. (UL) or any authorized licensee of UL, upon request.

This PROCEDURE, and any subsequent revision, is the property of Underwriters Laboratories Inc.(UL) and the authorized licensee of UL and is not transferable.

Underwriters Laboratories Inc.

Stephen Hewson
Senior Vice President
Global Follow-Up Service Operations

William R. Carney
Director
North American Certification Program

INDEX

Construction	United States Type	Canadian Type	Section
Parallel Cords: Thermoplastic	SPT-1, SPT-2, SPT-3 NISPT-1, NISPT-2, SPT-1W, SPT-2W	SPT-1, SPT-2, SPT-3	1
* Jacketed Cords: Thermoplastic	SVT SJT, SJTW, SJTOW ST, STW, SJTO, STO, STOW	SVT SJT, SJTW, ST, STW, SJTO, STO, STOW	2
Decorative - Lighting Cords & Wires	XTW, CXTW	N/A	3
Miscellaneous	Clock Cord	N/A	4
Christmas Tree Cord:	N/A	TX, PXT	5
Range & Dryer Cord	SRDT	DRT	6

N/A - Not Applicable



File E88265

Vol 2

Issued: 1998-10-12

Revised: 2007-07-10

FOLLOW-UP SERVICE PROCEDURE
(TYPE L)

FLEXIBLE CORD
(ZJCZ,ZJCZ7)

Manufacturer: I SHENG MFG (SONG GANG) FACTORY
(628100-001) TANG XIA YONG RD
SONG GANG TOWN
BAO'AN
SHENZHEN,
GUANGDONG 518105 CHINA

Applicant: I SHENG ELECTRIC WIRE & CABLE CO LTD
(153371-001) 52 TIN HWU RD
TA GANN VILLAGE
GWAI SAN HSIAN
TAOYUAN HSIEN 333 TAIWAN

Listee: SAME AS APPLICANT
(153371-001)

This Procedure authorizes the above manufacturer to use the marking specified by Underwriters Laboratories Inc.(UL), or any authorized licensee of UL, only on products covered by this Procedure, in accordance with the applicable UL Services Agreement.

The prescribed Mark or Marking shall be used only at the above manufacturing location on such products which comply with this Procedure and any other applicable requirements.

The Procedure contains information for the use of the above named Manufacturer and representatives of Underwriters Laboratories Inc. and is not to be used for any other purpose. It is lent to the Manufacturer with the understanding that it is not to be copied, either wholly or in part, and that it will be returned to Underwriters Laboratories Inc. (UL) or any authorized licensee of UL, upon request.

This PROCEDURE, and any subsequent revision, is the property of Underwriters Laboratories Inc.(UL) and the authorized licensee of UL and is not transferable.

Underwriters Laboratories Inc.

Stephen Hewson
Senior Vice President
Global Follow-Up Service Operations

William R. Carney
Director
North American Certification Program



LISTEE'S IDENTIFICATION:

Surface printing of Listee's name or "E88265" on surface of the insulation or jacket.

Manufacturer Identification - The manufacturers listed below must be identified by using the following codes after the Listee identification as noted above (ex. "E88265-C", where "-C" is the factory identification code). If the factory is the same as the Listee's, no code is required.

<u>Factory Location</u>	<u>Factory Identification Code</u>
I-SHENG MFG (SONG GANG) FACTORY TANG XIA YONG RD SONG GANG TOWN SHENZHEN, BAO'AN GUANGDONG 518105 CHINA	"C"

TESTS TO BE CONDUCTED WHILE IN PROCESS:

As described in the Standard for Flexible Cord and Fixture Wire, UL 62.

COMPOUND IDENTIFICATION WHILE IN PROCESS:

While in the process of manufacture, prior to the application of labels, the cables described in this Procedure shall be identified with a tag or shop order or similar means so that the UL Representative can determine what compound has been used for insulation and jacket. Either a factory code available to the representative or the actual compound designation may be used.

INDEX

<u>Construction</u>	<u>United States Type</u>	<u>Canadian Type</u>	<u>Section</u>
Decorative Lighting Cords and Wires:	XTW, CXTW	N/A	1
Parallel Cords: Thermoplastic	SPT-1, SPT-2, SPT-3 NISPT-1, NISPT-2	SPT-1, SPT-2, SPT-3	2
Jacketed Cords: Thermoplastic	SVT, SJT, SJTW, ST STW	SVT, SJT, SJTW, ST STW	3
* Range & Dryer Cord	SRDT	DRT	4



File E88265

Vol 4

Issued: 2004-10-01

Revised: 2007-07-10

FOLLOW-UP SERVICE PROCEDURE
(TYPE L)

FLEXIBLE CORD
(ZJCZ,ZJCZ7)

Manufacturer: I SHENG ELECTRONICS (KUNSHAN) CO LTD
(628100-003) KUNSHAN DEVELOPMENT ZONE
888 TAI SHAN RD
KUNSHAN JIANGSU CHINA

Applicant: I SHENG ELECTRIC WIRE & CABLE CO LTD
(153371-001) 52 TIN HWU RD
TA GANN VILLAGE
GWAI SAN HSIAN
TAOYUAN HSIEN 333 TAIWAN

Listee: SAME AS APPLICANT
(153371-001)

This Procedure authorizes the above manufacturer to use the marking specified by Underwriters Laboratories Inc.(UL), or any authorized licensee of UL, only on products covered by this Procedure, in accordance with the applicable UL Services Agreement.

The prescribed Mark or Marking shall be used only at the above manufacturing location on such products which comply with this Procedure and any other applicable requirements.

The Procedure contains information for the use of the above named Manufacturer and representatives of Underwriters Laboratories Inc. and is not to be used for any other purpose. It is lent to the Manufacturer with the understanding that it is not to be copied, either wholly or in part, and that it will be returned to Underwriters Laboratories Inc. (UL) or any authorized licensee of UL, upon request.

This PROCEDURE, and any subsequent revision, is the property of Underwriters Laboratories Inc.(UL) and the authorized licensee of UL and is not transferable.

Underwriters Laboratories Inc.

Stephen Hewson
Senior Vice President
Global Follow-Up Service Operations

William R. Carney
Director
North American Certification Program



LISTEE'S IDENTIFICATION:

Listee's name or File number "E88265" surface marked or indent printed.

Manufacturer Identification - The manufacturers listed below must be identified by using the following codes after the Listee identification as noted above (ex. "E88265-^", where "-^" is the factory identification code). If the factory is the same as the Listee's, no code is required.

Location	Factory Identification Code
I SHENG ELECTRONICS (KUNSHAN) CO LTD KUNSHAN DEVELOPMENT ZONE 888 TAI SHAN RD KUNSHAN, JIANGSU CN	"K"

COMPOUND IDENTIFICATION WHILE IN PROCESS:

While in the process of manufacture, prior to the application of labels, the cables described in this Procedure shall be identified with a tag or shop order or similar means so that the UL Representative can determine what compound has been used for insulation and jacket. Either a factory code available to the representative or the actual compound designation may be used.

SURFACE MARKINGS:

For products meeting the requirements in this procedure, both the UL Logo or UL in parenthesis and the Canadian UL Logo or c (UL) shall appear in surface print legend. The U.S. surface print legend shall appear first, followed by the Canadian surface print legend. The two legends shall be separated by an "or," a dash, a wide space or other acceptable means. All surface print markings are in accordance with UL 62, and any requirements specified in the descriptive sections of the Procedure.

INDEX

Construction	United States Type	Canadian Type	Section
Heater Cord	HPN	HPN	1
Jacketed Cords: Thermoplastic	SVT, SJT, ST, SJTW, STW	SVT, SJT, ST SJTW, STW	2
Parallel Cords: Thermoplastic	SPT-1, SPT-2, SPT-3 SPT-1W, SPT-2W NISPT-1, NISPT-2	SPT-1, SPT-2, SPT-3	3
Jacketed Cords: Thermoset	S, SO, SOO, SOW, SOOW, SJ, SJO, SJOO, SJOW, SJOOW, SV, SVO, SVOO	S, SO, SOO, SOW, SOOW, SJ, SJO, SJOO, SJOW, SJOOW, SV, SVO, SVOO	4

DESCRIPTION

PRODUCT COVERED:

* USL: PVC Insulated Parallel Cords, Types SPT-1, SPT-2, SPT-3, SPT-1W, SPT-2W, NISPT-1, and NISPT-2.

CNL: PVC Insulated Parallel Cords, Types SPT-1, SPT-2, and SPT-3.

ENGINEERING CONSIDERATIONS (NOT FOR UL FIELD REPRESENTATIVE'S USE):

USL indicates investigation to United States Standard for UL 62, for Flexible Cords and Fixture Wires.

CNL indicates investigation to Canadian Standard C22.2 No. 49-92 for Flexible Cords and Cables.

INTEGRAL/NONINTEGRAL INSULATION:

USL: Class 2.9 PVC (60°C), Class 2.29 PVC (75°C), Class 2.22 PVC (90°C), and Class 2.11 PVC (105°C).

CNL: Class 8 PVC (60°C) or Class 11 PVC (105°C).

* Outdoor use cords, Types SPT-1W and SPT-2W must use a Recognized Component - Polymeric Materials for Use in Wire and Cable (QMTT2) PVC insulation material rated for 60°C water resistance and 720 hr. sunlight resistance.

NONINTEGRAL JACKET:

USL: Class 1.7 PVC (60°C), Class 1.19 PVC (75°C), Class 1.16 PVC (90°C), and Class 1.8 PVC (105°C).

CNL: Class 1.5 PVC (60°C) or Class 1.8 PVC (105°C).

CONSTRUCTION DETAILS:

USL: These cords are constructed in accordance with the latest edition of Underwriters Laboratories Inc. Standard for Flexible Cord and Fixture Wire, UL 62 and the Reference Standard for Electrical Wires, Cables and Flexible Cords, UL 1581.

CNL: These cords are constructed in accordance with the latest edition of Canadian Standard for Flexible Cords and Cables, C22.2, No. 49 for Flexible Cords and Cables. Integral and Nonintegral Constructions.

SCDLS

NON-INTEGRAL GROUND CONDUCTOR:

Cords may include non-integral green grounding conductor in addition to two circuit conductors but not in addition to three circuit conductors.

USL: PVC Class 2.9 (60°C), Class 2.29 (75°), Class 2.22 (90°) or Class 2.11 (105°C).

CNL: PVC: Class 8 (60°C) or Class 11 (105°C).

OPTIONAL MARKING:

USL: May be marked "VW-1" or "FT-1" when complies with flame test.

CNL: May be marked "FT1" when complies with flame test.

* USL: Types SPT-1 and SPT-2 may be marked with the suffix "W" (For Example: "SPT-2W") if the integral insulation is a Recognized Component - Polymeric Materials for Use in Wire and Cable (QMTT2) PVC for 60°C water resistance and 720 hr. sunlightr resistance. Optional wording "OUTDOOR" may be marked on cables with the "W" suffix.

DESCRIPTIONPRODUCT COVERED:

- * USL: PVC Jacketed Cords, Types SVT, SJT, ST, SJTW, SJTOW, STW, rated 60, 75, 90, or 105°C.
- * CNL: PVC Jacketed Cords, Types SVT, SJT, ST, SJTW, SJTOW, STW, rated 60 or 105°C.

ENGINEERING CONSIDERATIONS: (Not For UL Representative's Use)

USL indicates investigation to United States Standard UL 62.

CNL indicates investigation to Canadian Standard C22.2 No. 49.

- * CONSTRUCTION DETAILS:

These cords are constructed in accordance with the Standard for Flexible Cord and Fixture Wire, UL 62, and the following:

Insulation on "W" Types - Any Recognized Component (QMTT2) PVC compound acceptable for use on either wet location Flexible Cord or on an NEC Type with a "W" in its Type letter designation.

Jacket on "W" Types - Any Recognized Component (QMTT2) PVC 720 hour sunlight resistant compound.

- * MARKING:

These cords are marked in accordance with the Standard for Flexible Cord and Fixture Wire, UL 62. In addition, CNL Types must be marked "FT2" unless they comply with the FT1 flame test in which case they are marked "FT1".

CADLS

DESCRIPTION

PRODUCT COVERED:

Type XTW employing Class 2.11 insulation.

Type CXTW; single conductor or twisted pair construction, employing Class 2.11 insulation.

CONSTRUCTION DETAILS:

These cords are constructed in accordance with the latest edition of UL 62, Standard for Flexible Cord and Fixture Wire.

Insulation - Any Recognized Component (QMTT2) PVC Flexible Cord Wet-Location compound suitable for Type XTW or Type CXTW.

MARKING:

These cords are marked "VW-1" in accordance with the Standard for Flexible Cords and Fixture Wire, UL62.

*

D E S C R I P T I O N

PRODUCT COVERED:

Clock Cord.

CONSTRUCTION:

Parallel only.

INSULATION:

* Class 2.9 PVC, 60°C.

CONDUCTOR SIZE:

20 AWG.

MARKINGS:

Tags must be marked "Clock Cord." Cords may be surface printed "Clock Cord." Other marking requirements per UL 62.

D E S C R I P T I O N

PRODUCT COVERED:

CNL: Christmas Tree Cord - Types TX and PXT,
rated 60°C.

ENGINEERING CONSIDERATIONS (NOT FOR FIELD REPRESENTATIVE'S
USE):

CNL indicates investigations to Canadian Standard
C22.2, No. 49-92, for Flexible Cords and Cables.

CONSTRUCTION DETAILS:

General - Constructed in accordance with the latest
edition of CSA C22.2 No. 49, Standard for Flexible Cord.

Conductor - No. 20 AWG in accordance with the standard.

Insulation - Class 8, PVC, 60°C, minimum average
thickness 27 mils.

Flame Rating - Must be marked "FT2" if not marked
"FT1". May be marked "FT1" when complies with the FT1 Flame
Test.

Marking - In accordance with the Standard, FUII Pages,
and Section General.

DESCRIPTIONPRODUCT COVERED:

USL: PVC Jacketed Range & Dryer Cord, Type SRDT, Rated 60°C or 90°C.

CNL: PVC Jacketed Range & Dryer Cord, Type DRT, Rated 60°C.

ENGINEERING CONSIDERATIONS: (Not For UL Field Representative's Use)

USL indicates investigations to United States Standard UL 62, for Flexible Cords and Fixture Wires.

CNL indicates investigations to Canadian Standard C22.2, No. 49 for Flexible Cords and Cables.

CONSTRUCTION DETAILS:

USL: These cords are constructed in accordance with the latest edition of Underwriters Laboratories Inc. Standard for Flexible Cord and Fixture Wire, UL 62 and the Reference Standard for Electrical Wires, Cables and Flexible Cords, UL1581.

CNL: These cords are constructed in accordance with the latest edition of Canadian Standard for Flexible Cord and Cables, C22.2 No. 49.

INSULATION:

USL: Class 2.9 or 2.22 PVC

CNL: Class 2.9 PVC

JACKET:

USL: Class 1.7 or 1.16 PVC

CNL: Class 1.7

FLAME RATING MARKING:

USL/CNL: May be marked "VW-1" or "FT1" when complies with Flame Test. Must be marked "FT2" if not marked "FT1."



the standard in safety

Underwriters
Laboratories

File E315167

Vol 1

Issued: 2007-09-13

Revised:

FOLLOW-UP SERVICE PROCEDURE
(TYPE L)

FLEXIBLE CORD
(ZJCZ, ZJCZ7)

Manufacturer: I SHENG MFG (SONG GANG) FACTORY
(628100-001) TANG XIA YONG RD
SONG GANG TOWN
BAO'AN
SHENZHEN,
GUANGDONG 518105 CHINA

Applicant: SAME AS MANUFACTURER
(628100-001)

Listee: SAME AS MANUFACTURER
(628100-001)

This Procedure authorizes the above manufacturer to use the marking specified by Underwriters Laboratories Inc.(UL), or any authorized licensee of UL, only on products covered by this Procedure, in accordance with the applicable UL Services Agreement.

The prescribed Mark or Marking shall be used only at the above manufacturing location on such products which comply with this Procedure and any other applicable requirements.

The Procedure contains information for the use of the above named Manufacturer and representatives of Underwriters Laboratories Inc. and is not to be used for any other purpose. It is lent to the Manufacturer with the understanding that it is not to be copied, either wholly or in part, and that it will be returned to Underwriters Laboratories Inc. (UL) or any authorized licensee of UL, upon request.

This PROCEDURE, and any subsequent revision, is the property of Underwriters Laboratories Inc.(UL) and the authorized licensee of UL and is not transferable.

Underwriters Laboratories Inc.

Stephen Hewson
Senior Vice President
Global Follow-Up Service Operations

William R. Carney
Director
North American Certification Program

INDEX

<u>Construction</u>	<u>United States Type</u>	<u>Canadian Type</u>	<u>Section</u>
Jacketed Cords, Thermoplastic	SVT, SJT, ST	SVT, SJT, ST	1
Parallel Cords, Thermoplastic	SPT-1, SPT-2, SPT-3, NISPT-1, NISPT-2	SPT-1, SPT-2, SPT-3, NISPT-1, NISPT-2	2
Range and Dryer Cords	SRDT	DRT	3

N/A - Not Applicable



the standard in safety

Underwriters
Laboratories

File E314513

Vol 1

Issued: 2007-09-07

Revised:

FOLLOW-UP SERVICE PROCEDURE
(TYPE L)

FLEXIBLE CORD
(ZJCZ,ZJCZ7)

Manufacturer: I SHENG ELECTRONICS (KUNSHAN) CO LTD
(628100-003) KUNSHAN DEVELOPMENT ZONE
888 TAI SHAN RD
KUNSHAN JIANGSU CHINA

Applicant: SAME AS MANUFACTURER
(628100-003)

Listee: SAME AS MANUFACTURER
(628100-003)

This Procedure authorizes the above manufacturer to use the marking specified by Underwriters Laboratories Inc.(UL), or any authorized licensee of UL, only on products covered by this Procedure, in accordance with the applicable UL Services Agreement.

The prescribed Mark or Marking shall be used only at the above manufacturing location on such products which comply with this Procedure and any other applicable requirements.

The Procedure contains information for the use of the above named Manufacturer and representatives of Underwriters Laboratories Inc. and is not to be used for any other purpose. It is lent to the Manufacturer with the understanding that it is not to be copied, either wholly or in part, and that it will be returned to Underwriters Laboratories Inc. (UL) or any authorized licensee of UL, upon request.

This PROCEDURE, and any subsequent revision, is the property of Underwriters Laboratories Inc.(UL) and the authorized licensee of UL and is not transferable.

Underwriters Laboratories Inc.

Stephen Hewson
Senior Vice President
Global Follow-Up Service Operations

William R. Carney
Director
North American Certification Program

INDEX

<u>Construction</u>	<u>United States Type</u>	<u>Canadian Type</u>	<u>Section</u>
Jacketed Cords, Thermoplastic	SVT, SJT, ST	SVT, SJT, ST	1
Parallel Cords, Thermoplastic	SPT-1, SPT-2, SPT-3, NISPT-1, NISPT-2	SPT-1, SPT-2, SPT-3, NISPT-1, NISPT-2	2
Jacketed Cords, Thermoset	S, SO, SOO, SOW, SOOW, SJ, SJO, SJO, SJOW, SJOOW, SV, SVO, SVOO	S, SO, SOO, SOW, SOOW, SJ, SJO, SJO, SJOW, SJOOW, SV, SVO, SVOO	3
Heater Cords	HPN	HPN	4

N/A - Not Applicable



CERTIFICATION RECORD

The company named below has been authorized by CSA International to represent the products listed in this record as "CSA Certified" and to affix the CSA Mark to these products according to the terms and conditions of the CSA Service Agreement and applicable CSA program requirements (including additional Markings).

File No: 081924_0_000
Class No: 5831 01 WIRES Flexible Cord

SUBMITTOR

4501124 I-Sheng Electric Wire & Cable Co.,
Ltd.
No 52 Tin Hwu Rd
Ta Gann Village
Gwai San Hsian
Taoyuan Hsien, 33334
Taiwan

FACTORIES

4501124 I-Sheng Electric Wire & Cable Co.,
Ltd.
No 52 Tin Hwu Rd
Ta Gann Village
Gwai San Hsian
Taoyuan Hsien, 33334
Taiwan

4651426 I-Sheng Electric Wire & Cable Co.,
Ltd.
Tang Xia Yong Rd
Songgang Town
Bao'An
Shenzhen, Guangdong 518105
China

4709892 I-Sheng Electronics (Kunshan)
Co., Ltd.
No. 888, Tai Shan Rd.
Kunshan Development Zone
Kun Shan City, Jiang Su Province, Jiangsu
China

October 31, 2014 (Replaces: November 8, 2010)

TO THE REQUIREMENTS OF CSA STANDARD C22.2 NO 49-14:

Type	Rated Volt (V)	Size of Conductors (AWG*)	No of Conductors	Insul. Type	Jacket Type	Notes
• Temperature rating 60C:						
SPT-1	300	20,18	2,3	PVC	-	1,2,3,7,9
NISPT-1	300	20,18	2,3	PVC	PVC	1,2,6,7,9
SPT-2	300	18,16	2,3	PVC	-	1,2,3,7,9
NISPT-2	300	18,16	2,3	PVC	PVC	1,2,6,7,9
SPT-3	300	18-10	2,3	PVC	-	1, 2,7,9
SVT	300	18,17,16	2,3	PVC	PVC	1,2,4,7,9
SJT	300	18-10	2-6	PVC	PVC	1,2,4,7,9
SJTO	300	18-10	2-6	PVC	PVC	1,2,4,10
SJTW, SJTOW	300	18-10	2-6	PVC	PVC	1,2,4,10, 11
ST, STO	600	18-2	2 or more	PVC	PVC	1,2,4,7,9
STW, STOW	600	18-2	2 or more	PVC	PVC	1,2,4,10,11
PXT	125	20	2	PVC	-	1,2,7
PXWT	300	18, 16	2	PVC	-	1,2,5,7
S, SO, SOO	600	18-2	2 or more	EP	CPE	1,2,7
SOW, SOOW	600	18-2	2 or more	EP	CPE	1,2,7
SJ, SJO, SJOO	300	18-10	2-6	EP	CPE	1,2,7
SJOW, SJOOW	300	18-10	2-6	EP	CPE	1,2,7
SV, SVO, SVOO	300	18,17,16	2 or 3	EP	CPE	1,2,7
SPT-1	300	20, 18	2,3	TPE	-	1,2,7,9
NISPT-1	300	20, 18	2,3	TPE	TPE	1,2,7,9
SPT-2	300	18, 16	2,3	TPE	-	1,2,7,9
NISPT-2	300	18, 16	2,3	TPE	TPE	1,2,7,9
SPT-3	300	18-10	2,3	TPE	-	1,2,7,9
SVT, SVTO	300	18,17,16	2,3	TPE	TPE	1,2,7,9
SJT, SJTO, SJTW, SJTOW	300	18-10	2-6	TPE	TPE	1,2,7,9
ST, STO, STW, STOW	600	18-2	2 or more	TPE	TPE	1,2,7,9

- Temperature rating 75C:

SPT-1	300	20, 18	2, 3	PVC	-	1,2,3,7,9
NISPT-1	300	20, 18	2, 3	PVC	PVC	1,2,6,7,9
SPT-2	300	18, 16	2, 3	PVC	-	1,2,3,7,9
NISPT-2	300	18, 16	2, 3	PVC	PVC	1,2,6,7,9
SPT-3	300	18-10	2, 3	PVC	-	1,2,7,9
SVT	300	18, 17, 16	2, 3	PVC	PVC	1,2,4,7,9
SJT	300	18-10	2-6	PVC	PVC	1,2,4,7,9
SJTO	300	18-10	2-6	PVC	PVC	1,2,4,10
SJTW, SJTOW	300	18-10	2-6	PVC	PVC	1,2,4,10,11
ST, STO	600	18-2	2 or more	PVC	PVC	1, 2, 4, 7,9
STW, STOW	600	18-2	2 or more	PVC	PVC	1, 2, 4, 10,11
S, SO, SOO	600	18-2	2 or more	EP	CPE	1,2,7
SOW, SOOW	600	18-2	2 or more	EP	CPE	1,2,7
SJ, SJO, SJOO	300	18-10	2-6	EP	CPE	1,2,7
SJOW, SJOOW	300	18-10	2-6	EP	CPE	1,2,7

- Temperature rating 90C:

SPT-1	300	20, 18	2, 3	PVC	-	1, 2, 3,7,9
NISPT-1	300	20, 18	2, 3	PVC	PVC	1, 2, 6,7,9
SPT-2	300	18, 16	2, 3	PVC	-	1, 2, 3,7,9
NISPT-2	300	18, 16	2, 3	PVC	PVC	1, 2, 6,7,9
SPT-3	300	18-10	2, 3	PVC	-	1, 2,7,9
SVT	300	18, 17, 16	2, 3	PVC	PVC	1, 2, 4, 7,9
SJT	300	18-10	2-6	PVC	PVC	1, 2, 4, 7,9
SJTO	300	18-10	2-6	PVC	PVC	1, 2, 4, 10
SJTW, SJTOW	300	18-10	2-6	PVC	PVC	1, 2, 4, 10, 11
ST,STO	600	18-2	2 or more	PVC	PVC	1, 2, 4, 7,9
STW, STOW	600	18-2	2 or more	PVC	PVC	1, 2, 4, 10, 11
HPN	300	14	2	CPE	-	1,2
HPN	300	16, 18	2 or 3	CPE	-	1, 2, 8
S, SO, SOO	600	18-2	2 or more	EP	CPE	1,2,7
SOW, SOOW	600	18-2	2 or more	EP	CPE	1,2,7
SJ, SJO,				EP	CPE	1,2,7

SJOO	300	18-10	2-6			
SJOW, SJOOW	300	18-10	2-6	EP	CPE	1,2,7
SPT-1	300	20, 18	2,3	TPE	-	1,2,7,9
NISPT-1	300	20, 18	2,3	TPE	TPE	1,2,7,9
SPT-2	300	18, 16	2,3	TPE	-	1,2,7,9
NISPT-2	300	18, 16	2,3	TPE	TPE	1,2,7,9
SPT-3	300	18-10	2,3	TPE	-	1,2,7,9
SVT, SVTO	300	18,17,16	2,3	TPE	TPE	1,2,7,9
SJT, SJTO, SJTW, SJTOW	300	18-10	2-6	TPE	TPE	1,2,7,9
ST, STO, STW, STOW	600	18-2	2 or more	TPE	TPE	1,2,7,9

- Temperature rating 105C:

SPT-1	300	20,18	2,3	PVC	-	1,2,3,7,9
NISPT-1	300	20,18	2,3	PVC	PVC	1,2,6,7,9
SPT-2	300	18,16	2,3	PVC	-	1,2,3,7,9
NISPT-2	300	18,16	2,3	PVC	PVC	1,2,6,7,9
SPT-3	300	18-10	2,3	PVC	-	1, 2,7,9
SVT	300	18,17,16	2,3	PVC	PVC	1,2,4,7,9
SJT	300	18-10	2-6	PVC	PVC	1,2,4,7,9
SJTO	300	18-10	2-6	PVC	PVC	1,2,4,10
SJTW, SJTOW	300	18-10	2 -6	PVC	PVC	1,2,4,10,11
ST,STO	600	18-2	2 or more	PVC	PVC	1,2,4,7,9
STW, STOW	600	18-2	2 or more	PVC	PVC	1,2,4,10,11
HPN	300	14	2	CPE	-	1,2
HPN	300	16, 18	2 or 3	CPE	-	1,2,8
S, SO, SOO	600	18-2	2 or more	EP	CPE	1,2,7
SOW, SOOW	600	18-2	2 or more	EP	CPE	1,2,7
SJ, SJO, SJOO,	300	18-10	2-6	EP	CPE	1,2,7
SJOW, SJOOW	300	18-10	2-6	EP	CPE	1,2,7
SV, SVO, SVOO	300	16, 17, 18	2 or 3	EP	CPE	1,2,7
SPT-1	300	20, 18	2,3	TPE	-	1,2,7,9
NISPT-1	300	20, 18	2,3	TPE	TPE	1,2,7,9
SPT-2	300	18, 16	2,3	TPE	-	1,2,7,9
NISPT-2	300	18, 16	2,3	TPE	TPE	1,2,7,9

SPT-3	300	18-10	2,3	TPE	-	1,2,7,9
SVT, SVTO	300	18,17,16	2,3	TPE	TPE	1,2,7,9
SJT, SJTO, SJTW, SJTOW	300	18-10	2-6	TPE	TPE	1,2,7,9
ST, STO, STW, STOW	600	18-2	2 or more	TPE	TPE	1,2,7,9

*mm² sizes also apply.

Notes:

1. In all colours except for clear and translucent.
2. Flame classification - FT2.
3. Includes two-conductor constructions in clear or translucent.
4. Optional shielding.
5. Low temperature rating: -40C.
6. Non-integral construction.
7. Flame classification - FT1.
8. HPN with 16 or 18 AWG, 3 conductor, EP ground conductor insulation.
9. Flame Classification - VW-1.
10. May have flame classifications FT1, VW-1.
11. May have low temperature rating: -40C.

\kn