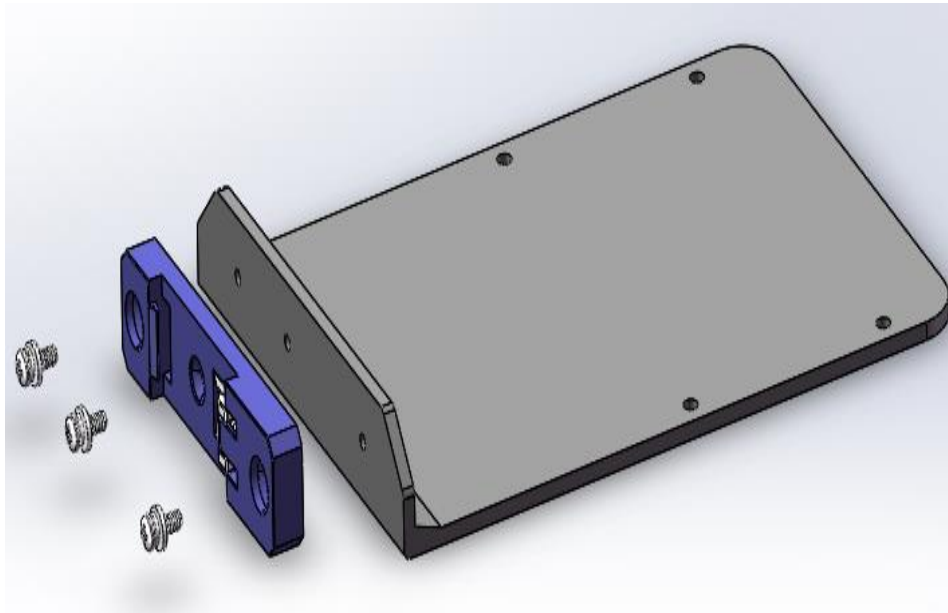


Assembly SOP RE-CHDRLKT20UPS UP Squared Din Rail Kit

Exploding view:



For more information about your UP board, software, accessories and peripherals, please visit www.up-community.org



Parts list

The kit includes the following items:

- L plate @1pc
- Din rear @1pc
- Case @1pc
- M3x6 Screws @3pcs
- M2.5x8 Screws @3pcs

All items are available in the UP Shop at <https://up-shop.org>

For more information about your UP board, software, accessories and peripherals, please visit www.up-community.org



bridge
the gap

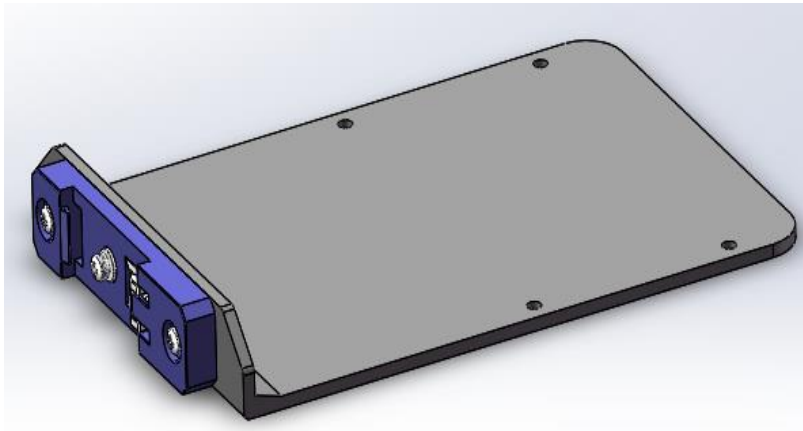
Step 1: Installing the Din rear

Required:

- M3x6 Screws *3pcs
- L plate *1pcs
- Din rear *1pcs

Procedure :

1. Put din rear at the side of the L plate as the drawing below shows.
2. Use 4pcs M3 X6 screws to fix the din rear onto the L plate.



For more information about your UP board, software, accessories and peripherals, please visit www.up-community.org



bridge
the gap

Step 2: Attaching the L-plate to the chassis

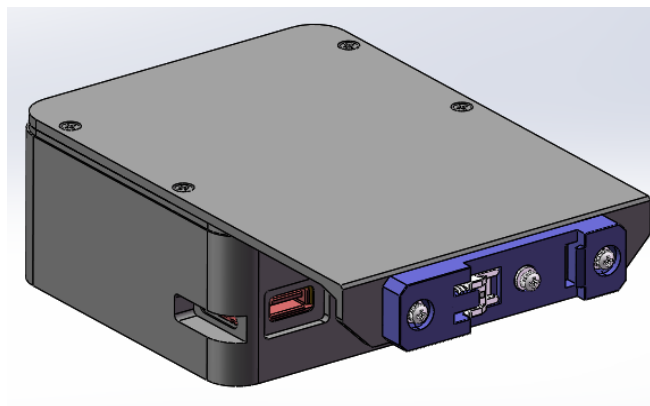
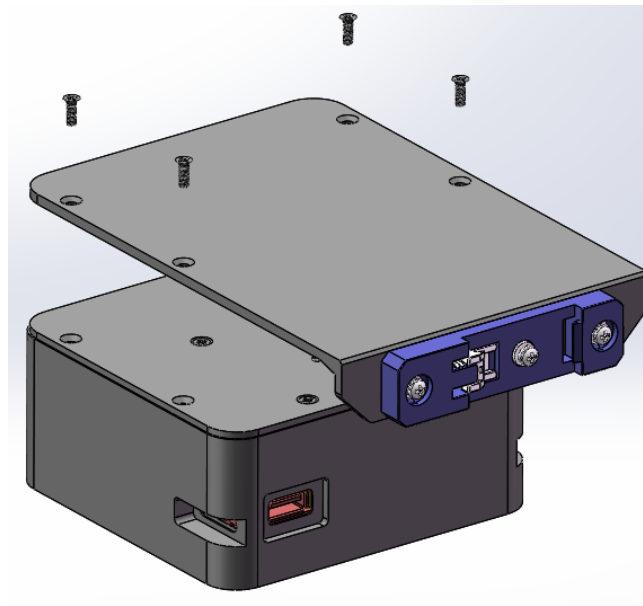
Required:

- Screw M2.5x8 *3pcs
- L plate + Din rear *1pcs
- Case *1pcs

Procedure :

1. Place the din rear at the base of the L plate as the drawings below show.

Remark: if there are screws mounted on the case already, please disassemble the screws first.



For more information about your UP board, software, accessories and peripherals, please visit www.up-community.org