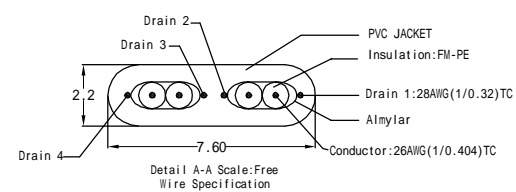
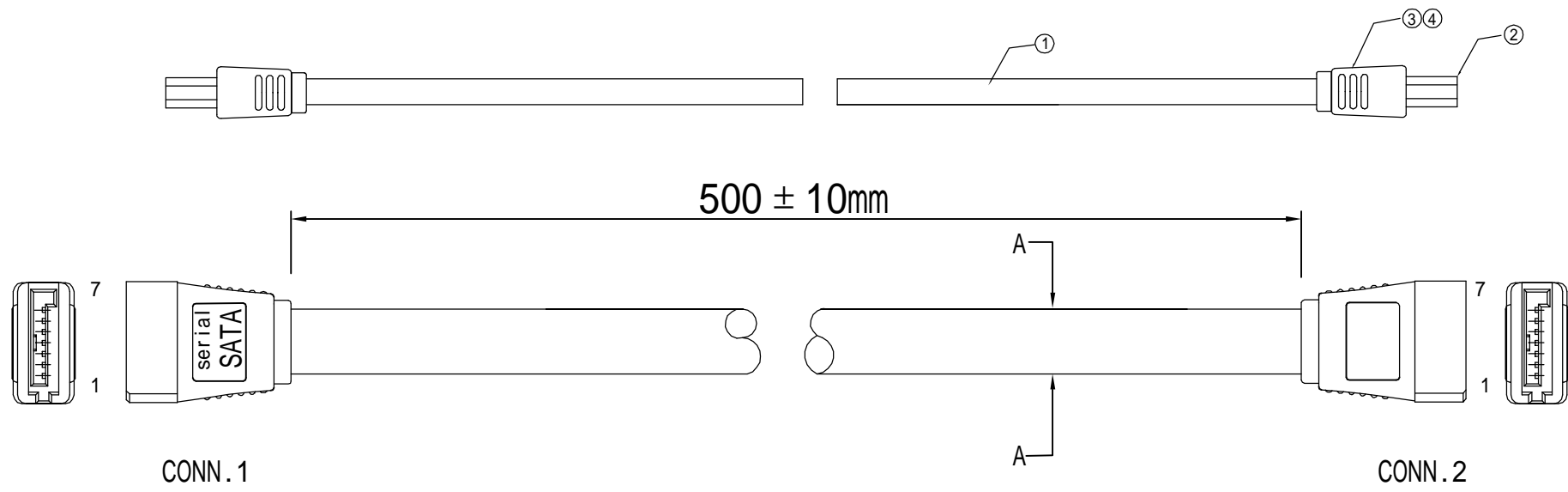


REV	DATE	REV.DIMENSION	DRAW	CHECK	APPROVE
△	16.12.22	NEW DRAWING			



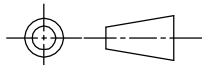
PIN ASSIGNMENT

Conn.1	Conn.2	Sigal
1	1	GND
2	2	A+
3	3	A-
4	4	GND
5	5	B-
6	6	B+
7	7	GND

- Electrical Properties:**
- 1.Contact Resistance:2 ohm max
  - 2.Insulation Resistance:10Mega ohm;
  - 3.HI-POT:300V DC/10ms.
  - 4.All Materials With RoHS Standard

**Material List:**

NO	NAME	DESCRIPTION	UNIT	Q'TY
1	CABLE	UL(2C*26AWG+2D+AL)*2C COLOR:RED OD:2.20*7.60 ± 0.20mm	MM	520
2	CONNECTOR	SATA 7P FEMALE G/F PBT	pcs	2
3	INSIDE MOLDING	LD PE	g	6
4	OUTSIDE MOLDING	45P PVC COLOR:BLACK	g	10

CUSTOMER:	Ningbo Longtime Cable Co., Ltd		
DWG NO.:			
ITEM NO:			
SATA7P-小头模型-500mm	 PART NO: BLK070707FF-20CM	SCALE:NO	DRAWN BY:
		UNIT:mm	CHECKED BY:
		REV:A	APPROVED BY: